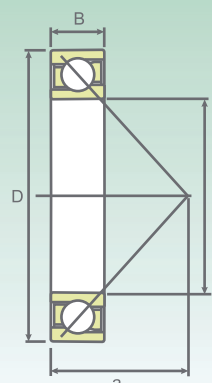


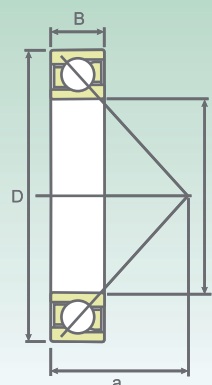
## CUSCINETTI OBLIQUI AD UNA CORONA DI SFERE ANGULAR CONTACT BALL BEARINGS



| Dimensioni (mm)<br>Dimension (mm) |           |           | Coefficiente di carico (KN)<br>Load rating (KN) |                                     | Velocità limite (giri/min)<br>Speed limit (Rpm) |             | Peso (Kg)<br>Weight (Kg) | a<br>(mm) | Sigla<br>Designation |
|-----------------------------------|-----------|-----------|---|-------------------------------------|---|-------------|--------------------------|-----------|----------------------|
| d<br>(mm)                         | D<br>(mm) | B<br>(mm) | Dinamico<br>Dynamic<br>C                        | Statico<br>Static<br>C <sub>0</sub> | Lubrificazione<br>Lubrication                   |             |                          |           |                      |
|                                   |           |           |   |                                     | Grasso<br>Grease                                | Olio<br>Oil |                          |           |                      |
| 10                                | 30        | 9         | 6.88  | 3.28                                | 22950   | 27000       | 0.03                     | 13        | 7200 B               |
| 12                                | 32        | 10        | 7.46  | 3.72                                | 19890   | 23400       | 0.036                    | 14.4      | 7201 B               |
|                                   | 37        | 12        | 10.39   | 4.9                                 | 18360   | 21600       | 0.063                    | 16.3      | 7301 B               |
| 15                                | 35        | 11        | 8.66  | 4.7                                 | 18360   | 21600       | 0.045                    | 16        | 7202 B               |
|                                   | 42        | 13        | 12.74   | 6.57                                | 15300   | 18000       | 0.081                    | 18        | 7302 B               |
| 17                                | 40        | 12        | 10.88   | 5.98                                | 15300   | 18000       | 0.064                    | 18        | 7203 B               |
|                                   | 47        | 14        | 15.58   | 8.13                                | 14535   | 17100       | 0.11                     | 20.4      | 7303 B               |
| 20                                | 47        | 14        | 13.03   | 7.5                                 | 13770   | 16200       | 0.11                     | 21        | 7204 B               |
|                                   | 52        | 15        | 18.62   | 10.19                               | 12240   | 14400       | 0.15                     | 22.8      | 7304 B               |
| 25                                | 52        | 15        | 15.29   | 10                                  | 11475   | 13500       | 0.13                     | 23.7      | 7205 B               |
|                                   | 62        | 17        | 25.48   | 15.29                               | 10710   | 12600       | 0.24                     | 26.8      | 7305 B               |
| 30                                | 62        | 16        | 23.32   | 15.29                               | 9945  | 11700       | 0.21                     | 27.3      | 7206 B               |
|                                   | 72        | 19        | 33.81   | 20.78                               | 9180  | 10800       | 0.37                     | 31        | 7306 B               |
| 35                                | 72        | 17        | 30.09   | 20.38                               | 8415  | 9900        | 0.3                      | 31        | 7207 B               |
|                                   | 80        | 21        | 38.22   | 24.01                               | 7650  | 9000        | 0.49                     | 35        | 7307 B               |
| 40                                | 80        | 18        | 35.67   | 25.48                               | 7650  | 9000        | 0.38                     | 34        | 7208 B               |
|                                   | 90        | 23        | 48.41   | 32.83                               | 6885  | 8100        | 0.64                     | 39        | 7308 B               |
| 45                                | 85        | 19        | 36.95   | 27.44                               | 6885  | 8100        | 0.43                     | 37        | 7209 B               |
|                                   | 100       | 25        | 59.29   | 40.67                               | 6120  | 7200        | 0.86                     | 43        | 7309 B               |
| 50                                | 90        | 20        | 38.22   | 29.89                               | 6502.5  | 7650        | 0.47                     | 39        | 7210 B               |
|                                   | 110       | 27        | 72.62   | 49.98                               | 5737.5  | 6750        | 1.13                     | 47        | 7310 B               |
| 55                                | 100       | 21        | 47.82   | 37.24                               | 5737.5  | 6750        | 0.62                     | 43        | 7211 B               |
|                                   | 120       | 29        | 83.5  | 58.8                                | 5125.5  | 6030        | 1.48                     | 51        | 7311 B               |
| 60                                | 110       | 22        | 56.06   | 44.59                               | 5355  | 6300        | 0.83                     | 47        | 7212 B               |
|                                   | 130       | 31        | 93.69   | 68.11                               | 4590  | 5400        | 1.75                     | 55        | 7312 B               |
| 65                                | 120       | 23        | 64.97   | 52.92                               | 4819.5  | 5670        | 1                        | 50        | 7213 B               |
|                                   | 140       | 33        | 105.84  | 78.4                                | 4284  | 5040        | 2.1                      | 60        | 7313 B               |
| 70                                | 125       | 24        | 70.07   | 58.8                                | 4590  | 5400        | 1.1                      | 53        | 7214 B               |
|                                   | 150       | 35        | 116.62  | 88.2                                | 4054.5  | 4770        | 2.55                     | 64        | 7314 B               |
| 75                                | 130       | 25        | 71.34   | 62.72                               | 4284  | 5040        | 1.18                     | 56        | 7215 B               |
|                                   | 160       | 37        | 122.5   | 96.04                               | 3825  | 4500        | 3.06                     | 68        | 7315 B               |
| 80                                | 170       | 39        | 140.14  | 115.64                              | 3442.5  | 4050        | 3.7                      | 72        | 7316 B               |
| 85                                | 150       | 28        | 93.69   | 81.34                               | 3825  | 4500        | 1.83                     | 63        | 7217 B               |
|                                   | 180       | 41        | 143.08  | 109.76                              | 3289.5  | 3870        | 4.26                     | 76        | 7317 B               |
| 90                                | 160       | 30        | 105.84  | 94.57                               | 3442.5  | 4050        | 2.12                     | 67        | 7218 B               |
|                                   | 190       | 43        | 152.88  | 131.32                              | 3060  | 3600        | 4.98                     | 80        | 7318 B               |

Nota: Per il montaggio di cuscinetti obliqui ad una corona di sfere accoppiati contattare il nostro servizio tecnico  
Note: To use angular contact ball bearing twin, please contact our technical dept.

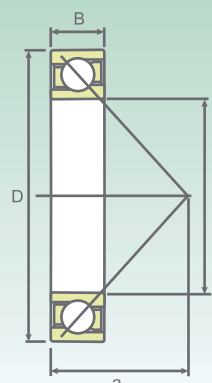
## CUSCINETTI OBLIQUI AD UNA CORONA DI SFERE ANGULAR CONTACT BALL BEARINGS



| Dimensioni (mm)<br>Dimension (mm) |           |           | Coefficiente di carico (KN)<br>Load rating (KN) |                                     | Velocità limite (giri/min)<br>Speed limit (Rpm) |             | Peso (Kg)<br>Weight (Kg) | a<br>(mm) | Sigla<br>Designation |
|-----------------------------------|-----------|-----------|---|-------------------------------------|---|-------------|--------------------------|-----------|----------------------|
| d<br>(mm)                         | D<br>(mm) | B<br>(mm) | Dinamico<br>Dynamic<br>C                        | Statico<br>Static<br>C <sub>0</sub> | Lubrificazione<br>Lubrication                   |             |                          |           |                      |
|                                   |           |           |   |                                     | Grasso<br>Grease                                | Olio<br>Oil |                          |           |                      |
| 95                                | 170       | 32        | 121.52  | 105.84                              | 3289.5  | 3870        | 2.68                     | 72        | 7219 B               |
|                                   | 200       | 45        | 164.64  | 147                                 | 2907  | 3420        | 5.77                     | 84        | 7319 B               |
| 100                               | 180       | 34        | 132.3   | 119.56                              | 3060  | 3600        | 3.38                     | 76        | 7220 B               |
|                                   | 215       | 47        | 198.94  | 186.2                               | 2754  | 3240        | 7.15                     | 90        | 7320 B               |
| 105                               | 190       | 36        | 143   | 102                                 | 2800  | 3400        | 4.10                     | 80        | 7221 B               |
|                                   | 225       | 49        | 203   | 163                                 | 2700  | 3050        | 8.80                     | 94        | 7321 B               |
| 110                               | 200       | 38        | 149.94  | 140.14                              | 2907  | 3420        | 4.95                     | 84        | 7222 B               |
|                                   | 240       | 50        | 220.5   | 219.52                              | 2448  | 2880        | 9.69                     | 99        | 7322 B               |
| 120                               | 180       | 28        | 87.1  | 69.5                                | 2950  | 3100        | 2.40                     | 77        | 7024 B               |
|                                   | 215       | 40        | 161.7   | 159.74                              | 2754  | 3240        | 5.89                     | 90        | 7224 B               |
|                                   | 260       | 55        | 238   | 208                                 | 2650  | 3100        | 14.5                     | 107       | 7324 B               |
| 130                               | 230       | 40        | 182.28  | 189.14                              | 2601  | 3060        | 6.76                     | 96        | 7226 B               |
|                                   | 280       | 58        | 290.08  | 298.9                               | 2142  | 2520        | 17.1                     | 115       | 7326 B               |
| 140                               | 210       | 33        | 111   | 91.5                                | 2230  | 2600        | 3.80                     | 90        | 7028 B               |
|                                   | 250       | 42        | 195.02  | 207.76                              | 2295  | 2700        | 8.83                     | 103       | 7228 B               |
|                                   | 300       | 62        | 276   | 255                                 | 2100  | 2550        | 21.5                     | 123       | 7328 B               |
| 150                               | 225       | 35        | 119   | 98                                  | 1800  | 2300        | 4.7                      | 96        | 7030 B               |
|                                   | 270       | 45        | 195   | 170                                 | 1850  | 2300        | 11.0                     | 112       | 7230 B               |
|                                   | 320       | 65        | 302   | 300                                 | 1720  | 2150        | 25.5                     | 132       | 7330 B               |
| 160                               | 290       | 48        | 199   | 180                                 | 1900  | 2600        | 13.5                     | 119       | 7232 B               |
| 170                               | 260       | 42        | 159   | 140                                 | 2000  | 2600        | 7.80                     | 129       | 7034 B               |
|                                   | 310       | 52        | 221   | 208                                 | 1900  | 2500        | 17.0                     | 127       | 7234 B               |
|                                   | 360       | 72        | 358   | 375                                 | 1400  | 2000        | 36.0                     | 147       | 7334 B               |
| 180                               | 280       | 46        | 195   | 180                                 | 1650  | 2200        | 10.9                     | 119       | 7036 B               |
|                                   | 320       | 52        | 251   | 245                                 | 2700  | 3200        | 17.5                     | 131       | 7236 B               |
|                                   | 380       | 75        | 371   | 400                                 | 1300  | 3800        | 42.0                     | 156       | 7336 B               |
| 190                               | 290       | 46        | 199   | 186                                 | 1800  | 2400        | 10.5                     | 124       | 7038 B               |
|                                   | 340       | 55        | 276   | 270                                 | 9500  | 2000        | 22.0                     | 139       | 7238 B               |
|                                   | 400       | 78        | 410   | 455                                 | 1150  | 1600        | 48.5                     | 164       | 7338 B               |
| 200                               | 310       | 51        | 225   | 220                                 | 1700  | 2200        | 13.5                     | 132       | 7040 B               |
| 220                               | 340       | 56        | 255   | 265                                 | 1400  | 1900        | 18.0                     | 145       | 7044 B               |
|                                   | 400       | 65        | 319   | 355                                 | 1200  | 1600        | 37.0                     | 164       | 7244 B               |
| 240                               | 360       | 56        | 260   | 275                                 | 1150  | 1600        | 19.0                     | 154       | 7048 B               |
|                                   | 440       | 72        | 365   | 415                                 | 1100  | 1500        | 50.0                     | 180       | 7248 B               |
| 260                               | 360       | 46        | 242   | 260                                 | 900   | 1400        | 13.5                     | 113       | 71952 A              |
| 280                               | 380       | 46        | 251   | 280                                 | 800   | 1300        | 15.0                     | 119       | 71956 A              |
|                                   | 420       | 65        | 351   | 415                                 | 900   | 1300        | 30.0                     | 134       | 7056 A               |
|                                   | 420       | 65        | 319   | 365                                 | 870   | 1280        | 30.0                     | 179       | 7056 B               |
|                                   | 500       | 80        | 442   | 550                                 | 800   | 1200        | 69.5                     | 205       | 7256 B               |

Nota: Per il montaggio di cuscinetti obliqui ad una corona di sfere accoppiati contattate il nostro servizio tecnico  
Note: To use angular contact ball bearing twin, please contact our technical dept.

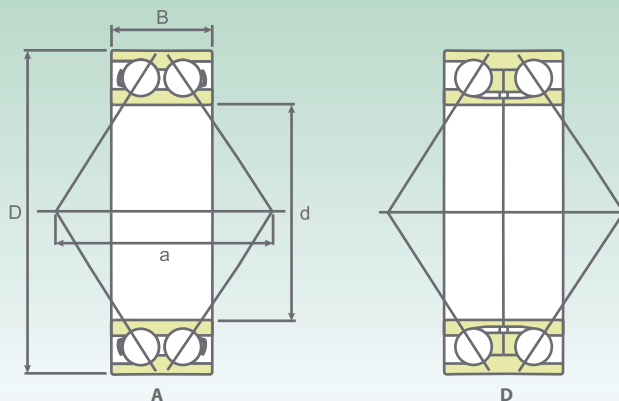
## CUSCINETTI OBLIQUI AD UNA CORONA DI SFERE ANGULAR CONTACT BALL BEARINGS



| Dimensioni (mm)<br>Dimension (mm) |           |           | Coefficiente di carico (KN)<br>Load rating (KN) |                                     | Velocità limite (giri/min)<br>Speed limit (Rpm) |             | Peso (Kg)<br>Weight (Kg) | a<br>(mm) | Sigla<br>Designation |
|-----------------------------------|-----------|-----------|---|-------------------------------------|---|-------------|--------------------------|-----------|----------------------|
| d<br>(mm)                         | D<br>(mm) | B<br>(mm) | Dinamico<br>Dynamic<br>C                        | Statico<br>Static<br>C <sub>0</sub> | Lubrificazione<br>Lubrication                   |             |                          |           |                      |
|                                   |           |           |   |                                     | Grasso<br>Grease                                | Olio<br>Oil |                          |           |                      |
| 300                               | 460       | 74        | 423   | 530                                 | 950   | 1300        | 42.5                     | 147       | 7060 A               |
|                                   | 460       | 74        | 377   | 465                                 | 900   | 1200        | 42.5                     | 196       | 7060 B               |
| 320                               | 480       | 74        | 436   | 550                                 | 700   | 1100        | 44.5                     | 153       | 7064 A               |
| 340                               | 520       | 82        | 449   | 600                                 | 800   | 1100        | 61.5                     | 223       | 7068 B               |
|                                   | 620       | 92        | 715   | 1080                                | 700   | 1000        | 126                      | 248       | 7268 B               |
| 360                               | 480       | 56        | 302   | 390                                 | 800   | 1200        | 28.5                     | 205       | 71972 B              |
|                                   | 540       | 82        | 520   | 710                                 | 600   | 900         | 62.5                     | 171       | 7072 A               |
|                                   | 650       | 95        | 650   | 950                                 | 700   | 1000        | 145                      | 261       | 7272 B               |
| 380                               | 480       | 31        | 199   | 280                                 | 340   | 860         | 10.0                     | 140       | 70876 A              |
|                                   | 520       | 65        | 397   | 540                                 | 500   | 900         | 41.5                     | 163       | 71976 A              |
| 400                               | 720       | 103       | 728   | 1120                                | 710   | 950         | 190                      | 288       | 7280 B               |
| 420                               | 560       | 65        | 364   | 510                                 | 810   | 1100        | 239                      | 44.5      | 71984 B              |
|                                   | 620       | 90        | 540   | 780                                 | 710   | 960         | 263                      | 88.5      | 7084 B               |
| 460                               | 580       | 37        | 265   | 390                                 | 760   | 1000        | 170                      | 24.5      | 70892 A              |
|                                   | 680       | 100       | 689   | 1080                                | 610   | 800         | 215                      | 120       | 7092 A               |
| 500                               | 620       | 37        | 276   | 425                                 | 600   | 800         | 181                      | 27.0      | 708/500 A            |
| 530                               | 780       | 112       | 702   | 1200                                | 550   | 740         | 332                      | 180       | 70/530 B             |
| 560                               | 680       | 56        | 397   | 655                                 | 680   | 810         | 208                      | 41.5      | 718/560 A            |
|                                   | 750       | 85        | 592   | 980                                 | 550   | 740         | 210                      | 135       | 719/560 A            |
| 600                               | 730       | 42        | 338   | 585                                 | 560   | 740         | 212                      | 38.5      | 708/600 A            |
|                                   | 870       | 118       | 884   | 1600                                | 510   | 710         | 273                      | 235       | 70/600 A             |
| 670                               | 980       | 136       | 1210  | 2400                                | 470   | 630         | 308                      | 340       | 70/670 A             |
| 710                               | 950       | 106       | 832   | 1830                                | 810   | 1120        | 247                      | 215       | 719/710 AC           |
| 750                               | 920       | 78        | 618   | 1200                                | 400   | 530         | 281                      | 110       | 718/750 A            |

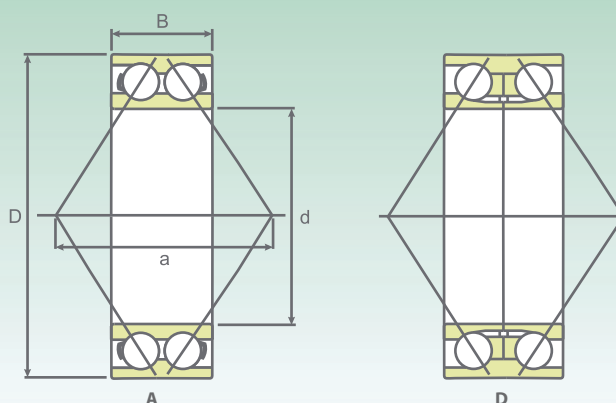
Nota: Per il montaggio di cuscinetti obliqui ad una corona di sfere accoppiati contattate il nostro servizio tecnico  
Note: To use angular contact ball bearing twin, please contact our technical dept.

## CUSCINETTI OBLIQUI A DUE CORONE DI SFERE ANGULAR CONTACT BALL BEARINGS, DOUBLE ROW



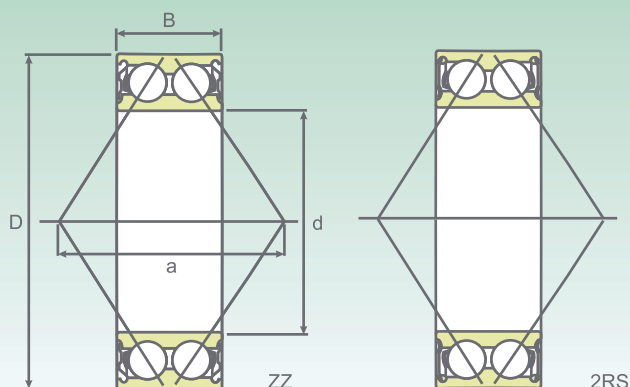
| Dimensioni (mm)<br>Dimension (mm) |           |           | Coefficiente di carico (KN)<br>Load rating (KN) |                                     | Velocità limite (giri/min)<br>Speed limit (Rpm) |             | Peso (Kg)<br>Weight (Kg) | a<br>(mm) | Sigla<br>Designation                    |  |
|-----------------------------------|-----------|-----------|---|-------------------------------------|---|-------------|--------------------------|-----------|---|--|
| d<br>(mm)                         | D<br>(mm) | B<br>(mm) | Dinamico<br>Dynamic<br>C                        | Statico<br>Static<br>C <sub>0</sub> | Lubrificazione<br>Lubrication                   |             |                          |           | Gabbia<br>metallica<br>Metallic<br>cage | Gabbia in<br>poliammide<br>Polyamide<br>cage |
|                                   |           |           |   |                                     | Grasso<br>Grease                                | Olio<br>Oil |                          |           |   |  |
| 10                                | 30        | 14        | 7.5   | 4.21                                | 18360   | 21600       | 0.051                    | 16        | -                                       | 3200 ATN9                                    |
| 12                                | 32        | 15.9      | 9.9   | 5.49                                | 16830   | 19800       | 0.058                    | 19        | -                                       | 3201 ATN9                                    |
| 15                                | 35        | 15.9      | 11  | 6.66                                | 13770   | 16200       | 0.066                    | 21        | -                                       | 3202 ATN9                                    |
|                                   | 42        | 19        | 14.8  | 9.11                                | 12240   | 14400       | 0.13                     | 24        | -                                       | 3302 ATN9                                    |
| 17                                | 40        | 17.5      | 14  | 8.62                                | 12240   | 14400       | 0.095                    | 23        | -                                       | 3203 ATN9                                    |
|                                   | 47        | 22.2      | 21.2  | 12.45                               | 10710   | 12600       | 0.18                     | 28        | -                                       | 3303 ATN9                                    |
| 20                                | 47        | 20.6      | 19.6  | 11.76                               | 10710   | 12600       | 0.16                     | 28        | 3204 A                                  | 3204 ATN9                                    |
|                                   | 52        | 22.2      | 23.1  | 14.31                               | 9945  | 11700       | 0.22                     | 30        | 3304 A                                  | 3304 ATN9                                    |
| 25                                | 52        | 20.6      | 21.2  | 14.01                               | 9180  | 10800       | 0.19                     | 30        | 3205 A                                  | 3205 ATN9                                    |
|                                   | 62        | 25.4      | 31.4  | 19.99                               | 8415  | 9900        | 0.35                     | 36        | 3305 A                                  | 3305 ATN9                                    |
| 30                                | 62        | 23.8      | 29.4  | 19.99                               | 7650  | 9000        | 0.29                     | 36        | 3206 A                                  | 3206 ATN9                                    |
|                                   | 72        | 30.2      | 40.7  | 26.95                               | 6885  | 8100        | 0.53                     | 42        | 3306 A                                  | 3306 ATN9                                    |
| 35                                | 72        | 27        | 39.2  | 27.44                               | 6885  | 8100        | 0.44                     | 42        | 3207 A                                  | 3207 ATN9                                    |
|                                   | 80        | 34.9      | 51  | 34.79                               | 6505  | 7650        | 0.71                     | 47        | 3307 A                                  | 3307 ATN9                                    |
| 40                                | 80        | 30.2      | 46.6  | 33.32                               | 6120  | 7200        | 0.58                     | 46        | 3208 A                                  | 3208 ATN9                                    |
|                                   | 90        | 36.5      | 62.7  | 43.12                               | 5740  | 6750        | 1.05                     | 53        | 3308 A                                  | 3308 ATN9                                    |
|                                   | 90        | 36.5      | 67.5  | 62.70                               | 5695  | 6700        | 1.05                     | 84        | 3308D                                   | 3308 DTN9                                    |
| 45                                | 85        | 30.2      | 50  | 38.22                               | 5740  | 6750        | 0.64                     | 49        | 3209 A                                  | 3209 ATN9                                    |
|                                   | 100       | 39.7      | 73.5  | 51.94                               | 5130  | 6030        | 1.4                      | 58        | 3309 A                                  | 3309 ATN9                                    |
|                                   | 100       | 39.7      | 77.7  | 68.11                               | 4590  | 5400        | 1.6                      | 93        | 3309 D                                  | -  |
| 50                                | 90        | 30.2      | 50  | 38.22                               | 5355  | 6300        | 0.66                     | 52        | 3210 D                                  | 3210 ATN9                                    |
|                                   | 110       | 44.4      | 88.2  | 62.72                               | 4590  | 5400        | 1.95                     | 65        | 3310 A                                  | 3310 ATN9                                    |
|                                   | 110       | 44.4      | 91.7  | 83.30                               | 4284  | 5040        | 2.15                     | 102       | 3310 D                                  | -  |
| 55                                | 100       | 33.3      | 58.8  | 46.55                               | 4820  | 5670        | 1.05                     | 57        | 3211 A                                  | 3211 ATN9                                    |
|                                   | 120       | 49.2      | 109.8   | 79.87                               | 4055  | 4770        | 2.55                     | 72        | 3311 A                                  | 3311 ATN9                                    |
|                                   | 120       | 49.2      | 108.8   | 108                                 | 3825  | 4500        | 2.8                      | 114       | 3311 D                                  | -  |
| 60                                | 110       | 36.5      | 72  | 57.33                               | 4284  | 5040        | 1.4                      | 63        | 3212 A                                  | 3212 ATN9                                    |
|                                   | 130       | 54        | 124.5   | 93.10                               | 3825  | 4500        | 3.25                     | 78        | 3312 A                                  | -  |
| 65                                | 120       | 38.1      | 79  | 72.03                               | 3672  | 4320        | 1.75                     | 71        | 3213 A                                  | -  |
|                                   | 140       | 58.7      | 143.1   | 107.80                              | 3445  | 4050        | 4.1                      | 84        | 3313 A                                  | -  |
| 70                                | 125       | 39.7      | 86.6  | 78.40                               | 3445  | 4050        | 1.9                      | 74        | 3214 A                                  | -  |
|                                   | 150       | 63.5      | 159.7   | 122.50                              | 3290  | 3870        | 5.05                     | 89        | 3314 A                                  | -  |
| 75                                | 130       | 41.3      | 93.7  | 86.24                               | 3445  | 4050        | 2.1                      | 77        | 3215 A                                  | -  |
|                                   | 160       | 68.3      | 172.5   | 137.20                              | 3060  | 3600        | 5.55                     | 97        | 3315 A                                  | -  |
| 80                                | 140       | 44.4      | 103.9   | 93.10                               | 3290  | 3870        | 2.65                     | 82        | 3216 A                                  | -  |
|                                   | 170       | 68.3      | 178.4   | 152.88                              | 2754  | 3240        | 6.8                      | 101       | 3316 A                                  | -  |
|                                   | 170       | 68.3      | 186.2   | 192.00                              | 2754  | 3240        | 7.55                     | 158       | 3316 D                                  | -  |

## CUSCINETTI OBLIQUI A DUE CORONE DI SFERE ANGULAR CONTACT BALL BEARINGS, DOUBLE ROW



| Dimensioni (mm)<br>Dimension (mm) |           |           | Coefficiente di carico (KN)<br>Load rating (KN) |                                     | Velocità limite (giri/min)<br>Speed limit (Rpm) |             | Peso (Kg)<br>Weight (Kg) | a<br>(mm) | Sigla<br>Designation                    |  |
|-----------------------------------|-----------|-----------|---|-------------------------------------|---|-------------|--------------------------|-----------|---|--|
| d<br>(mm)                         | D<br>(mm) | B<br>(mm) | Dinamico<br>Dynamic<br>C                        | Statico<br>Static<br>C <sub>0</sub> | Lubrificazione<br>Lubrication                   |             |                          |           | Gabbia<br>metallica<br>Metallic<br>cage | Gabbia in<br>poliammide<br>Polyamide<br>cage |
|                                   |           |           |   |                                     | Grasso<br>Grease                                | Olio<br>Oil |                          |           |   |  |
| 85                                | 150       | 49.2      | 121.5   | 107.80                              | 2907  | 3420        | 3.4                      | 88        | 3217 A                                  | -  |
|                                   | 180       | 73        | 191.1   | 172.48                              | 2601  | 3060        | 8.3                      | 107       | 3317 A                                  | -  |
| 90                                | 160       | 52.4      | 127.4   | 117.60                              | 2754  | 3240        | 4.15                     | 94        | 3218 A                                  | -  |
|                                   | 190       | 73        | 191.1   | 176.40                              | 2448  | 2880        | 9.25                     | 112       | 3318 A                                  | -  |
|                                   | 190       | 73        | 220.5   | 245                                 | 2448  | 2880        | 10                       | 178       | 3318 D                                  | -  |
| 95                                | 170       | 55.6      | 155.8   | 143.08                              | 2601  | 3060        | 5                        | 101       | 3219 A                                  | -  |
|                                   | 200       | 77.8      | 220.5   | 211.68                              | 2295  | 2700        | 11                       | 118       | 3319 A                                  | -  |
|                                   | 200       | 77.8      | 237.2   | 269.50                              | 2295  | 2700        | 12                       | 189       | 3319 D                                  | -  |
| 100                               | 180       | 60.3      | 157   | 173                                 | 2320  | 2780        | 6.1                      | 118       | 3220                                    | -  |
|                                   | 180       | 60.3      | 174.4   | 162.68                              | 2448  | 2880        | 6.1                      | 107       | 3220 A                                  | -  |
|                                   | 215       | 82.6      | 255   | 290                                 | 2300  | 2700        | 13.5                     | 139       | 3320                                    | -  |
|                                   | 215       | 82.6      | 260   | 245                                 | 2220  | 2600        | 15.5                     | 199       | 3320 D                                  | -  |
|                                   | 215       | 82.6      | 249.9   | 249.90                              | 2142  | 2520        | 13.5                     | 127       | 3320 A                                  | -  |
| 105                               | 190       | 65.1      | 168   | 186                                 | 2120  | 2450        | 7.4                      | 124       | 3221                                    | -  |
| 110                               | 200       | 69.8      | 207.8   | 207.76                              | 2142  | 2520        | 8.8                      | 119       | 3222 A                                  | -  |
|                                   | 240       | 92.1      | 307   | 300                                 | 2080  | 2400        | 21.5                     | 217       | 3322 D                                  | -  |
|                                   | 240       | 92.1      | 285.2   | 298.90                              | 1989  | 2340        | 19                       | 142       | 3322 A                                  | -  |
| 120                               | 260       | 106       | 314   | 390                                 | -   | -           | 27                       | 243       | 3324                                    | -  |

## CUSCINETTI OBLIQUI A DUE CORONE DI SFERE, SCHERMATI ANGULAR CONTACT BALL BEARINGS, DOUBLE ROW - SEALED



| Dimensioni (mm)<br>Dimension (mm) |           |           | Coefficiente di carico (KN)<br>Load rating (KN) |                                     | Velocità limite (giri/min)<br>Speed limit (Rpm) |       | Peso (Kg)<br>Weight (Kg) | a<br>(mm) | Sigla<br>Designation          |                              |
|-----------------------------------|-----------|-----------|---|-------------------------------------|---|-------|--------------------------|-----------|-------------------------------|------------------------------|
| d<br>(mm)                         | D<br>(mm) | B<br>(mm) | Dinamico<br>Dynamic<br>C                        | Statico<br>Static<br>C <sub>0</sub> | Lubrificazione<br>Lubrication                   |       |                          |           | Con<br>schermi<br>With shield | Con guarnizioni<br>With seal |
|                                   |           |           |   |                                     | ZZ  | 2RS   |                          |           |                               |                              |
| 10                                | 30        | 14        | 7.46  | 4.2                                 | 22800   | 16150 | 0.051                    | 16        | 3200-ZZ                       | 3200-2RS                     |
| 12                                | 32        | 15.9      | 9.90  | 5.49                                | 20900   | 14250 | 0.058                    | 19        | 3201-ZZ                       | 3201-2RS                     |
| 15                                | 35        | 15.9      | 10.98   | 6.66                                | 17100   | 13300 | 0.066                    | 21        | 3202-ZZ                       | 3202-2RS                     |
|                                   | 42        | 19        | 14.80   | 9.11                                | 15200   | 11400 | 0.13                     | 24        | 3302-ZZ                       | 3302-2RS                     |
| 17                                | 40        | 17.5      | 14.01   | 8.62                                | 15200   | 11400 | 0.1                      | 23        | 3203-ZZ                       | 3203-2RS                     |
|                                   | 47        | 22.2      | 21.17   | 12.45                               | 13300   | 10450 | 0.18                     | 28        | 3303-ZZ                       | 3303-2RS                     |
| 20                                | 47        | 20.6      | 19.60   | 11.76                               | 13300   | 9500  | 0.15                     | 28        | 3204-ZZ                       | 3204-2RS                     |
|                                   | 52        | 22.2      | 23.13   | 14.31                               | 12350   | 8550  | 0.21                     | 30        | 3304-ZZ                       | 3304-2RS                     |
| 25                                | 52        | 20.6      | 21.17   | 14.01                               | 11400   | 8075  | 0.18                     | 30        | 3205-ZZ                       | 3205-2RS                     |
|                                   | 62        | 25.4      | 31.36   | 19.99                               | 10450   | 7125  | 0.35                     | 36        | 3305-ZZ                       | 3305-2RS                     |
| 30                                | 62        | 23.8      | 29.40   | 19.99                               | 9500  | 7125  | 0.27                     | 36        | 3206-ZZ                       | 3206-2RS                     |
|                                   | 72        | 30.2      | 40.67   | 26.95                               | 8550  | 5985  | 0.52                     | 42        | 3306-ZZ                       | 3306-2RS                     |
| 35                                | 72        | 27        | 39.20   | 27.44                               | 8550  | 5985  | 0.44                     | 42        | 3207-ZZ                       | 3207-2RS                     |
|                                   | 80        | 34.9      | 50.96   | 34.79                               | 8075  | 5700  | 0.73                     | 47        | 3307-ZZ                       | 3307-2RS                     |
| 40                                | 80        | 30.2      | 46.55   | 33.32                               | 7600  | 5320  | 0.57                     | 46        | 3208-ZZ                       | 3208-2RS                     |
|                                   | 90        | 36.5      | 62.72   | 43.12                               | 7125  | 4750  | 0.93                     | 53        | 3308-ZZ                       | 3308-2RS                     |
| 45                                | 85        | 30.2      | 49.98   | 38.22                               | 7125  | 5035  | 0.63                     | 49        | 3209-ZZ                       | 3209-2RS                     |
|                                   | 100       | 39.7      | 73.50   | 51.94                               | 6365  | 4560  | 1.4                      | 58        | 3309-ZZ                       | 3309-2RS                     |
| 50                                | 90        | 30.2      | 49.98   | 38.22                               | 6650  | 4560  | 0.65                     | 57        | 3210-ZZ                       | 3210-2RS                     |
|                                   | 110       | 44.4      | 88.20   | 62.72                               | 5700  | 4085  | 1.95                     | 61        | 3310-ZZ                       | 3310-2RS                     |
| 55                                | 100       | 33.3      | 58.80   | 46.55                               | 5985  | 4275  | 1.05                     | 63        | 3211-ZZ                       | 3211-2RS                     |
|                                   | 120       | 49.2      | 109.76  | 79.87                               | 5035  | 3610  | 2.55                     | 66        | 3311-ZZ                       | 3311-2RS                     |
| 60                                | 110       | 36.5      | 72.03   | 57.33                               | 5320  | 3800  | 1.4                      | 63        | 3212-ZZ                       | 3212-2RS                     |
|                                   | 130       | 54        | 124.46  | 93.10                               | 4750  | -     | 3.25                     | 78        | 3312-ZZ                       | -                            |
| 65                                | 120       | 38.1      | 78.99   | 72.03                               | 4560  | -     | 1.75                     | 71        | 3213-ZZ                       | 3213-2RS                     |
|                                   | 140       | 58.7      | 143.08  | 107.80                              | 4275  | -     | 4.1                      | 84        | 3313-ZZ                       | 3313-2RS                     |
| 70                                | 125       | 39.7      | 86.63   | 78.4                                | 4275  | -     | 1.9                      | 74        | 3214-ZZ                       | 3214-2RS                     |
|                                   | 150       | 63.5      | 159.74  | 122.5                               | 4085  | -     | 5.05                     | 89        | 3314-ZZ                       | 3314-2RS                     |
| 75                                | 130       | 41.3      | 93.69   | 86.24                               | 4275  | -     | 2.1                      | 77        | 3215-ZZ                       | 3215-2RS                     |
|                                   | 160       | 68.3      | 172.48  | 137.20                              | 3800  | -     | 5.6                      | 97        | 3315-ZZ                       | 3315-2RS                     |
| 80                                | 140       | 44.4      | 98.98   | 131.32                              | 3800  | -     | 2.65                     | 91        | 3216-ZZ                       | 3216-2RS                     |
|                                   | 170       | 68.3      | 172.48  | 207.76                              | 3400  | -     | 6.95                     | 112       | 3316-ZZ                       | 3316-2RS                     |
| 85                                | 150       | 49.2      | 109   | 143                                 | 3600  | -     | 3.4                      | 97        | 3217-ZZ                       | 3217-2RS                     |
| 90                                | 160       | 52.4      | 125   | 169                                 | 3400  | -     | 4.15                     | 104       | 3218-ZZ                       | 3218-2RS                     |
| 95                                | 170       | 55.6      | 144   | 200                                 | 3200  | -     | 5                        | 111       | 3219-ZZ                       | 3219-2RS                     |
| 100                               | 180       | 60.3      | 155   | 215                                 | 3000  | -     | 6.1                      | 118       | 3220-ZZ                       | 3220-2RS                     |