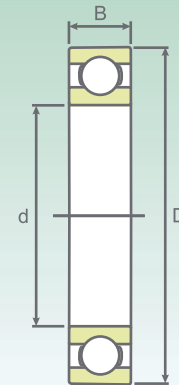


CUSCINETTI RADIALI AD UNA CORONA DI SFERE RADIAL DEEP GROOVE BALL BEARINGS, SINGLE ROW



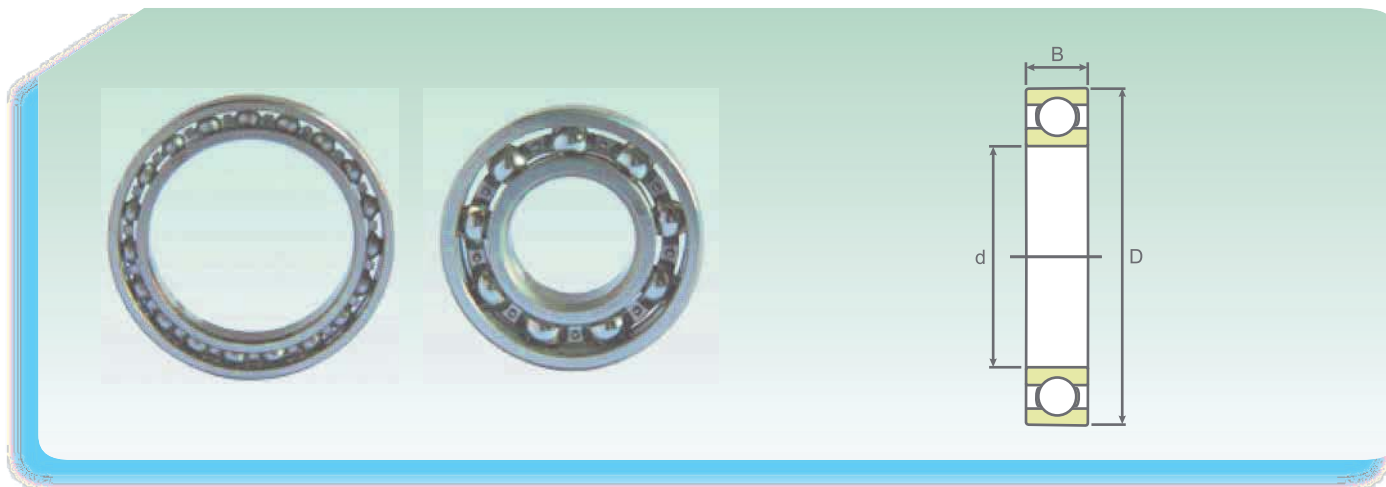
Dimensioni (mm) Dimension (mm)			Coefficiente di carico (KN) Load rating (KN)		Velocità limite (giri/min) Speed limit (Rpm)		Peso (Kg) Weight (Kg)	Sigla Designation
d (mm)	D (mm)	B (mm)	Dinamico Dynamic C	Statico Static C ₀	Lubrificazione Lubrication			
					Grasso Grease	Olivo Oil		
3	10	4	0.53	0.180	61200	72000	0.0015	623
4	9	2.5	0.53	0.180	65025	76500	0.0007	618/4
	11	4	0.71	0.230	61200	72000	0.0017	619/4
	12	4	0.79	0.230	57375	67500	0.0021	604
	13	5	0.92	0.290	51255	60300	0.0031	624
5	16	5	1.1	0.380	45900	54000	0.0054	634
	11	3	0.63	0.250	57375	67500	0.0012	618/5
	13	4	0.87	0.34	51255	60300	0.0025	619/5
	16	5	1.12	0.38	45900	54000	0.0050	625
6	19	6	2.30	0.94	38250	45000	0.009	635
	13	3.5	0.87	0.34	51255	60300	0.002	618/6
	15	5	1.2	0.47	48195	56700	0.0039	619/6
	19	6	2.30	0.94	38250	45000	0.0084	626
7	14	3.5	0.94	0.4	48195	56700	0.0022	618/7
	17	5	1.45	0.55	42840	50400	0.0049	619/7
	19	6	2.30	0.94	40545	47700	0.0075	607
	22	7	3.4	1.35	34425	40500	0.013	627
8	16	4	1.3	0.56	42840	50400	0.0030	618/8
	19	6	1.9	0.73	38250	45000	0.0071	619/8
	22	7	3.4	1.35	36720	43200	0.012	608
	24	8	3.9	1.63	30600	36000	0.017	628
9	17	4	1.40	0.63	40545	47700	0.0034	618/9
	20	6	2.1	0.85	36720	43200	0.0076	619/9
	24	7	3.9	1.63	32895	38700	0.014	609
	26	8	4.65	1.93	29070	34200	0.02	629
10	15	3	66	34	36000	43000	0.005	61700
	19	5	1.40	0.58	36720	43200	0.0055	61800
	19	7	133	056	34000	40500	0.007	63800
	22	6	2.0	0.84	34425	40500	0.01	61900
	26	8	4.7	1.93	30600	36000	0.019	6000
	28	8	4.5	1.93	30600	36000	0.022	16100
	30	9	5.3	2.32	26010	30600	0.032	6200
	35	11	8.4	3.34	24480	28800	0.053	6300
12	18	4	72	41	31000	37000	0.004	61701
	21	5	1.40	0.66	32895	38700	0.0063	61801
	21	7	149	0.68	30500	36000	0.005	63801
	24	6	2.2	0.97	30600	36000	0.011	61901
	28	8	5.30	2.32	29070	34200	0.022	6001
	30	8	5	2.32	26010	30600	0.023	16101
	32	10	7.2	3.04	24480	28800	0.037	6201
	37	12	9.9	4.07	21420	25200	0.06	6301
15	21	4	81	44	27000	32000	0.006	61702
	24	5	1.53	0.79	29070	34200	0.0074	61802
	24	7	162	0.79	26000	31500	0.01	63802

CUSCINETTI RADIALI AD UNA CORONA DI SFERE RADIAL DEEP GROOVE BALL BEARINGS, SINGLE ROW



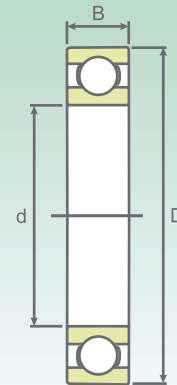
Dimensioni (mm) Dimension (mm)			Coefficiente di carico (KN) Load rating (KN)		Velocità limite (giri/min) Speed limit (Rpm)		Peso (Kg) Weight (Kg)	Sigla Designation
d (mm)	D (mm)	B (mm)	Dinamico Dynamic C	Statico Static C ₀	Lubrificazione Lubrication			
					Grasso Grease	Olivo Oil		
15	28	7	4.28	2.2	26010	30600	0.016	61902
	32	8	5.7	2.8	24480	28800	0.025	16002
	32	9	5.7	2.8	24480	28800	0.03	6002
	35	11	7.9	3.68	21420	25200	0.045	6202
	42	13	11.7	5.3	18360	21600	0.082	6302
17	23	4	80	50	25000	30000	0.007	61703
	26	5	1.65	0.92	26010	30600	0.0082	61803
	26	7	175	0.90	24000	29500	0.013	63803
	30	7	4.53	2.5	24480	28800	0.018	61903
	35	8	6.24	3.19	21420	25200	0.032	16003
	35	10	6.24	3.19	21420	25200	0.039	6003
	40	9	9.37	4.66	18360	21600	0.048	98203
	40	12	9.8	4.66	18360	21600	0.065	6203
	47	14	14	6.42	16830	19800	0.12	6303
	62	17	22.5	10.6	13770	16200	0.27	6403
20	27	4	84	57	21000	25000	0.013	61704
	32	7	3.95	2.3	21420	25200	0.018	61804
	37	9	6.25	3.6	19890	23400	0.038	61904
	42	8	7.14	4	18360	21600	0.05	16004
	42	9	7.8	4.5	18360	21600	0.051	98204
	42	12	9.8	4.9	18360	21600	0.069	6004
	47	14	13.3	6.5	15300	18000	0.11	6204
	52	15	16.5	7.7	14535	17100	0.14	6304
	72	19	30	14.7	11475	13500	0.4	6404
22	50	14	13.8	7.5	14535	17100	0.12	62/22
	56	16	18.3	9.2	13770	16200	0.18	63/22
25	32	4	90	66	19000	23000	0.017	61705
	37	7	4.28	2.6	18360	21600	0.022	61805
	42	9	6.88	4.3	16830	19800	0.045	61905
	47	8	7.9	4.7	15300	18000	0.06	16005
	47	12	11.7	6.5	15300	18000	0.08	6005
	52	9	10.4	6.5	13770	16200	0.078	98205
	52	15	14.5	7.7	13770	16200	0.13	6205
	62	17	22.9	11.4	12240	14400	0.23	6305
	80	21	35	19	9945	11700	0.53	6405
28	58	16	16.5	9.4	12240	14400	0.18	62/28
	68	18	24.6	13.5	10710	12600	0.29	63/28
30	37	4	95	76	17000	20000	0.022	61706
	42	7	4.4	2.9	15300	18000	0.027	61806
	47	9	7.14	4.5	14535	17100	0.051	61906
	55	9	11.7	7.3	13005	15300	0.085	16006
	55	13	13.5	8.2	13005	15300	0.12	6006
	62	16	19.9	11	11475	13500	0.20	6206
	72	19	29	15.7	9945	11700	0.35	6306
	90	23	42.8	23.2	8415	9900	0.74	6406

CUSCINETTI RADIALI AD UNA CORONA DI SFERE RADIAL DEEP GROOVE BALL BEARINGS, SINGLE ROW



Dimensioni (mm) Dimension (mm)			Coefficiente di carico (KN) Load rating (KN)		Velocità limite (giri/min) Speed limit (Rpm)		Peso (Kg) Weight (Kg)	Sigla Designation
d (mm)	D (mm)	B (mm)	Dinamico Dynamic C	Statico Static C ₀	Lubrificazione Lubrication			
					Grasso Grease	Olivo Oil		
35	44	5	155	130	14000	17000	0.025	61707
	47	7	4.7	3.2	13770	16200	0.03	61807
	55	10	9.37	6.7	12240	14400	0.08	61907
	62	9	12.8	8	11475	13500	0.11	16007
	62	14	16.5	10	11475	13500	0.16	6007
	72	17	26.5	15	9945	11700	0.29	6207
	80	21	34.4	18.7	9180	10800	0.46	6307
	100	25	54.2	30.4	7650	9000	0.95	6407
40	50	6	207	177	13000	16000	0.03	61708
	52	7	4.9	3.4	12240	14400	0.034	61808
	62	12	13.5	9.8	10710	12600	0.12	61908
	68	9	13.5	9	10710	12600	0.13	16008
	68	15	17.5	11.4	10710	12600	0.19	6008
	80	18	31.9	18.7	8415	9900	0.37	6208
	90	23	41.5	23.6	8415	9900	0.63	6308
	110	27	62.5	35.8	6885	8100	1.25	6408
45	55	6	213	192	12000	14000	0.035	61709
	58	7	6.5	6	10710	12600	0.04	61809
	68	12	13.8	10.6	9945	11700	0.14	61909
	75	10	16.2	10.6	9180	10800	0.17	16009
	75	16	21.7	14.4	9180	10800	0.25	6009
	85	19	34.4	21.2	8415	9900	0.41	6209
	100	25	54.2	30.9	7268	8550	0.83	6309
	120	29	74.6	44.1	6503	7650	1.55	6409
50	65	7	6.7	6.7	9945	11700	0.052	61810
	72	12	14.4	11.6	9180	10800	0.14	61910
	80	10	16.5	11.2	8415	9900	0.18	16010
	80	16	22.5	15.7	8415	9900	0.26	6010
	90	20	36.4	22.8	7650	9000	0.46	6210
	110	27	63.7	37.3	6503	7650	1.05	6310
	130	31	85.4	51	5738	6750	1.9	6410
55	72	9	8.86	8.7	9180	10800	0.083	61811
	80	13	16.2	13.8	8415	9900	0.19	61911
	90	11	19.9	13.8	7650	9000	0.26	16011
	90	18	29	20.8	7650	9000	0.39	6011
	100	21	45.3	28.5	6885	8100	0.61	6211
	120	29	72.7	44.1	6120	7200	1.35	6311
	140	33	97.6	60.8	5355	6300	2.3	6411
60	78	10	11.7	11.2	8415	9900	0.11	61812
	85	13	16.2	14.1	7650	9000	0.2	61912
	95	11	20.4	14.7	7268	8550	0.28	16012
	95	18	30.1	22.8	7268	8550	0.42	6012
	110	22	54.2	35.3	6120	7200	0.78	6212
	130	31	83.5	51	5355	6300	1.7	6312
	150	35	105.9	68.2	4820	5670	2.75	6412

CUSCINETTI RADIALI AD UNA CORONA DI SFERE RADIAL DEEP GROOVE BALL BEARINGS, SINGLE ROW



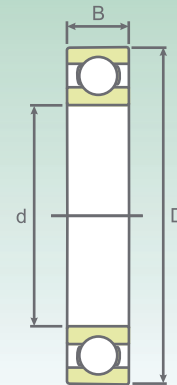
Dimensioni (mm) Dimension (mm)			Coefficiente di carico (KN) Load rating (KN)		Velocità limite (giri/min) Speed limit (Rpm)		Peso (Kg) Weight (Kg)	Sigla Designation
d (mm)	D (mm)	B (mm)	Dinamico Dynamic C	Statico Static C ₀	Lubrificazione Lubrication			
					Grasso Grease	Olivo Oil		
65	85	10	12.2	12.5	7650	9000	0.13	61813
	90	13	17.1	15.7	7268	8550	0.22	61913
	100	11	22.1	16.3	6885	8100	0.3	16013
	100	18	31.3	24.5	6885	8100	0.44	6013
	120	23	57.4	39.7	5738	6750	0.99	6213
	140	33	95.6	58.8	5126	6030	2.1	6313
	160	37	116.7	76.5	4590	5400	3.30	6413
70	90	10	12.2	13	6885	8100	0.14	61814
	100	16	23.4	20.8	6503	7650	0.35	61914
	110	13	28.6	24.5	6120	7200	0.43	16014
	110	20	38.9	30.4	6120	7200	0.6	6014
	125	24	62.5	44.1	5355	6300	1.05	6214
	150	35	108.8	66.7	4820	5670	2.5	6314
	180	42	140.2	102	4055	4770	4.85	6414
75	95	10	12.5		6503	7650	0.15	61815
	105	16	23.8	19	6120	7200	0.37	61915
	110	12	28.1	26.5	6120	7200	0.38	16115
	115	13	29.6	26.5	5738	6750	0.46	16015
	115	20	40.8	32.9	5738	6750	0.64	6015
	130	25	67.7	48.3	5126	6030	1.2	6215
	160	37	116.7	75	4284	5040	3	6315
190	45	150	111.8	3825	4500	6.8	6415	
80	100	10	12.8	14.8	6120	7200	0.15	61816
	110	16	24.6	20	5738	6750	0.4	61916
	125	14	34.4	30.9	5355	6300	0.6	16016
	125	22	48.5	39.3	5355	6300	0.85	6016
	140	26	71.4	54	4590	5400	1.4	6216
	170	39	127.4	84.8	4055	4770	3.6	6316
	200	48	159.8	122.6	3672	4320	8	6416
85	110	13	19.2	20.4	5738	6750	0.27	61817
	120	18	31.3	29.5	5355	6300	0.55	61917
	130	14	35.1	32.9	5126	6030	0.63	16017
	130	22	51	42.2	5126	6030	0.89	6017
	150	28	85.4	62.8	4284	5040	1.8	6217
	180	41	137.3	94.6	3825	4500	4.25	6317
	210	52	170.6	134.3	3443	4050	9.5	6417
90	115	13	19.2	21.6	5355	6300	0.28	61818
	125	18	32.6	30.9	5126	6030	0.59	61918
	140	16	42.8	38.3	4820	5670	0.85	16018
	140	24	59.3	49.1	4820	5670	1.15	6018
	160	30	99	72.1	4055	4770	2.15	6218
	190	43	148	105.9	3672	4320	4.9	6318
	225	54	182.3	147	3290	3870	11.5	6418

CUSCINETTI RADIALI AD UNA CORONA DI SFERE RADIAL DEEP GROOVE BALL BEARINGS, SINGLE ROW



Dimensioni (mm) Dimension (mm)			Coefficiente di carico (KN) Load rating (KN)		Velocità limite (giri/min) Speed limit (Rpm)		Peso (Kg) Weight (Kg)	Sigla Designation
d (mm)	D (mm)	B (mm)	Dinamico Dynamic C	Statico Static C ₀	Lubrificazione Lubrication			
					Grasso Grease	Olivo Oil		
95	120	13	19.6	22.4	5126	6030	0.3	61819
	130	18	33.2	32.9	4820	5670	0.61	61919
	145	16	43.9	40.7	4590	5400	0.89	16019
	145	24	62.5	53	4590	5400	1.2	6019
	170	32	111.8	79.9	3825	4500	2.6	6219
	200	45	155.9	115.7	3443	4050	5.65	6319
100	125	13	19.6	23.6	4820	5670	0.31	61820
	140	20	41.5	40.2	4590	5400	0.83	61920
	150	16	45.3	43.2	4284	5040	0.91	16020
	150	24	62.5	53	4284	5040	1.25	6020
	180	34	124.5	91.15	3672	4320	3.15	6220
	215	47	170.6	137.3	3290	3870	7	6320
105	130	13	20.4	19.3	4820	5670	0.32	61821
	145	20	43.4	43.2	4284	5040	0.87	61921
	160	18	53	50	4055	4770	1.2	16021
	160	26	74.6	64.2	4055	4770	1.6	6021
	190	36	137.3	102	3443	4050	3.7	6221
	225	49	178.4	150	3060	3600	8.25	6321
110	140	16	27.6	25.5	4284	5040	0.6	61822
	150	20	42.8	44.2	4284	5040	0.9	61922
	170	19	58.9	55.9	3825	4500	1.45	16022
	170	28	83.5	72.1	3825	4500	1.95	6022
	200	38	148	115.7	3290	3870	4.35	6222
	240	50	199	176.5	2907	3420	9.55	6322
120	150	16	28.6	27.6	4055	4770	0.65	61824
	165	22	54.2	55.9	3825	4500	1.2	61924
	180	19	62.5	62.9	3672	4320	1.6	16024
	180	28	86.7	78.5	3672	4320	2.05	6024
	215	40	143.1	115.7	3060	3600	5.15	6224
	260	55	203.9	182.3	2601	3060	12.5	6324
130	165	18	36.9	42.2	3672	4320	0.93	61826
	180	24	63.7	65.7	3443	4050	1.85	61926
	200	22	81.6	79.9	3290	3870	2.35	16026
	200	33	109.8	98	3290	3870	3.15	6026
	230	40	152.9	129.4	2754	3240	5.8	6226
	280	58	224.5	211.7	3443	4050	17.5	6326 M
140	175	18	38.3	45.6	3443	4050	0.99	61828
	190	24	65	70.6	4284	5040	1.7	61928 MA
	210	22	79	84.8	3060	3600	2.5	16028
	210	33	108.8	105.9	3060	3600	3.35	6028
	250	42	161.8	147	2601	3060	7.45	6228
	300	62	246	240.2	3290	3870	22	6328 M

CUSCINETTI RADIALI AD UNA CORONA DI SFERE RADIAL DEEP GROOVE BALL BEARINGS, SINGLE ROW



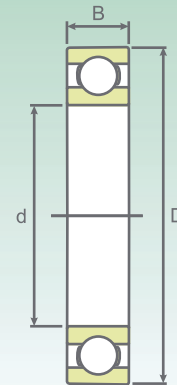
Dimensioni (mm) Dimension (mm)			Coefficiente di carico (KN) Load rating (KN)		Velocità limite (giri/min) Speed limit (Rpm)		Peso (Kg) Weight (Kg)	Sigla Designation
d (mm)	D (mm)	B (mm)	Dinamico Dynamic C	Statico Static C ₀	Lubrificazione Lubrication			
					Grasso Grease	Olivo Oil		
150	190	20	47.9	59.8	3290	3870	1.4	61830
	210	28	86.7	91.2	4055	4770	3.05	61930 MA
	225	24	90.4	96.1	2907	3420	3.15	16030
	225	35	122.6	122.6	2907	3420	4.8	6030
	270	45	170.6	162.7	2448	2880	9.4	6230
	320	65	270.5	279.4	3060	3600	26	6330 M
160	200	20	48.5	62.8	3060	3600	1.4	61832
	220	28	90.5	96.1	3825	4500	3.2	61932 MA
	240	25	97.6	105.9	2754	3240	3.7	16032
	240	38	140.2	140.2	2754	3240	5.9	6032
	240	38	140.2	140.2	3672	4320	5.9	6032 M
	290	48	182.3	182.3	2295	2700	14	6232
	340	68	270.5	279.3	2907	3420	29	6332 M
170	215	22	60.6	76.5	2754	3240	1.9	61834
	230	28	91.8	103.9	3672	4320	3.4	61934 MA
	260	28	116.7	126.5	2448	2880	5	16034
	260	42	164.7	169.6	3290	3870	7.9	6034 M
	310	52	207.8	219.7	2907	3420	17.5	6234 M
	360	72	305.8	334	2601	3060	34.5	6334 M
180	225	22	61.2	80	2601	3060	2	61836
	250	33	116.7	131.2	3290	3870	5.05	61936 MA
	280	31	135.3	143	3060	3600	6.6	16036
	280	46	186.3	197	3060	3600	10.5	6036 M
	320	52	224.5	236	2754	3240	18.5	6236 M
	380	75	344	397	2448	2880	42.5	6336 M
190	240	24	74.6	96	2448	2880	2.6	61838
	260	33	114.7	133	3290	3870	5.25	61938 MA
	290	31	145.1	163	2295	2700	7.9	16038
	290	46	191.2	212	2907	3420	11	6038 M
	340	55	245	275	2601	3060	23	6238 M
	400	78	363.6	422	2295	2700	49	6338 M
200	250	24	74.6	100	2448	2880	2.7	61840
	280	38	145.1	163	2907	3420	7.4	61940 MA
	310	34	164.7	186	2142	2520	8.85	16040
	310	51	211.7	240	2754	3240	14	6040 M
	360	58	264.7	304	2448	2880	28	6240 M
220	270	24	76.5	108	2142	2520	3	61844
	300	38	148	177	2754	3240	8	61944 MA
	340	37	170.6	200	1836	2160	11.5	16044
	340	56	242.1	285	2448	2880	18.5	6044 M
	400	65	290.1	358	2295	2700	37	6244 M
	460	88	401.9	510	1989	2340	72.5	6344 M
240	300	28	105.9	147	1989	2340	4.5	61848
	320	38	155.9	196	2448	2880	8.6	61948 MA
	360	37	174.5	216	2295	2700	14.5	16048 MA

CUSCINETTI RADIALI AD UNA CORONA DI SFERE RADIAL DEEP GROOVE BALL BEARINGS, SINGLE ROW



Dimensioni (mm) Dimension (mm)			Coefficiente di carico (KN) Load rating (KN)		Velocità limite (giri/min) Speed limit (Rpm)		Peso (Kg) Weight (Kg)	Sigla Designation
d (mm)	D (mm)	B (mm)	Dinamico Dynamic C	Statico Static C ₀	Lubrificazione Lubrication			
					Grasso Grease	Olio Oil		
240	360	56	250	309	2295	2700	19	6048 M
	440	72	350.9	456	1989	2340	51	6248 M
	500	95	433.2	574	1836	2160	92.5	6348 M
260	320	28	108.8	160	1836	2160	4.8	61852
	360	46	207.8	265	2295	2700	14.5	61952 MA
	400	44	233.3	304	2142	2520	21.5	16052 MA
	400	65	285.2	368	2142	2520	29.5	6052 M
	480	80	382.3	520	1836	2160	65	6252 M
540	102	496.9	696	1683	1980	115	6352 M	
280	350	33	135.3	197	1683	1980	7.4	61856
	380	46	211.7	279	2142	2520	15	61956 MA
	420	44	237.2	329	1989	2340	23	16056 MA
	420	65	296	397	1989	2340	31	6056 M
	500	80	414.6	588	1683	1980	71	6256 M
300	380	38	168.6	241	1989	2340	10.5	61860 MA
	420	56	264.7	368	1836	2160	24.5	61960 MA
	460	50	280.3	397	1836	2160	32	16060 MA
	460	74	350.9	491	1836	2160	44	6060 M
	540	85	452.8	657	1530	1800	88.5	6260 M
320	400	38	168.6	250	1836	2160	11	61864 MA
	440	56	270.5	393	1836	2160	25.5	61964 MA
	480	50	275.4	397	1683	1980	34	16064 MA
	480	74	363.6	530	1683	1980	46	6064 M
340	420	38	174.5	270	1836	2160	11.5	61868MA
	460	56	275.4	417	1683	1980	26.5	61968MA
	520	57	338.2	510	1530	1800	45	16068MA
	520	82	414.6	628	1530	1800	62	6068M
360	440	38	178.4	280	1683	1980	12	61872 MA
	480	56	285.2	442	1683	1980	28	61972 MA
	540	57	344	539	1454	1710	49	16072 MA
	540	82	452.8	721	1454	1710	64.5	6072 M
380	480	46	237.2	382	1530	1800	20	61876 MA
	520	65	331.3	530	1454	1710	40	61976 MA
	560	57	369.5	608	1377	1620	51	16076 MA
	560	82	452.8	735	1377	1620	67.5	6076 M
400	500	46	242.1	397	1454	1710	20.5	61880 MA
	540	65	338.2	559	1377	1620	41.5	61980 MA
	600	90	509.7	848	1301	1530	87.5	6080 M
420	520	46	246	417	1377	1620	21.5	61884 MA
	560	65	344	589	1377	1620	43	61984 MA
	620	90	496.9	863	1224	1440	91.5	6084 M

CUSCINETTI RADIALI AD UNA CORONA DI SFERE RADIAL DEEP GROOVE BALL BEARINGS, SINGLE ROW



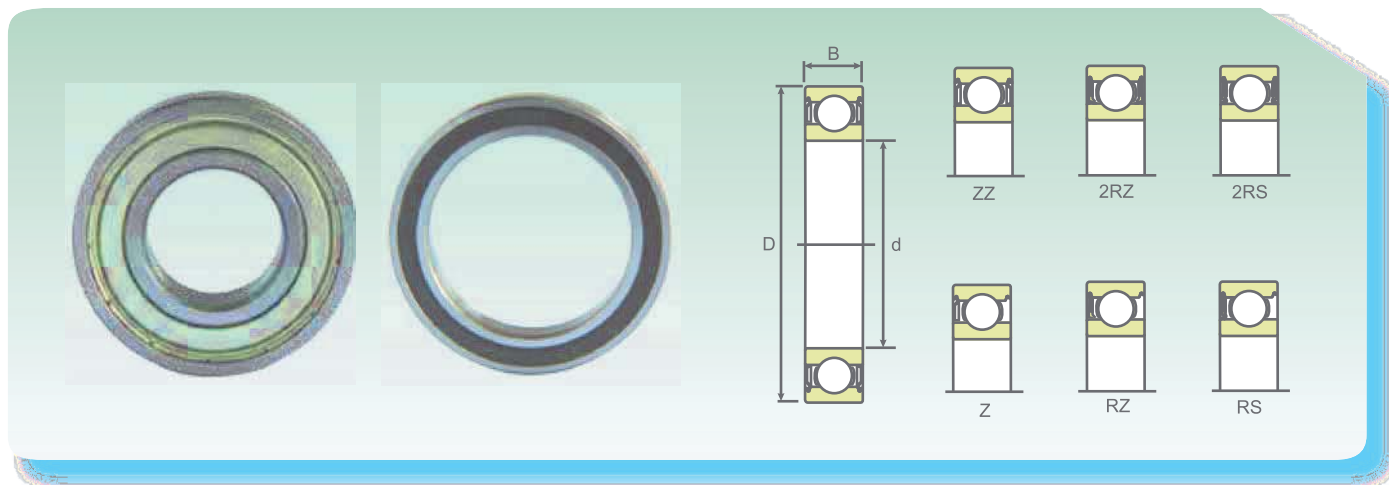
Dimensioni (mm) Dimension (mm)			Coefficiente di carico (KN) Load rating (KN)		Velocità limite (giri/min) Speed limit (Rpm)		Peso (Kg) Weight (Kg)	Sigla Designation
d (mm)	D (mm)	B (mm)	Dinamico Dynamic C	Statico Static C ₀	Lubrificazione Lubrication			
					Grasso Grease	Olío Oil		
440	540	31	155	285	870	1000	16.5	60888
	540	46	250	432	1377	1620	22.5	61888 MA
	600	50	305	550	870	1000	41	60988
	600	74	401.9	706	1224	1440	60.5	61988 MA
	650	94	542	946	1148	1350	105	6088 M
460	580	56	312.7	559	1224	1440	35	61892 MA
	620	72	410	765	870	1100	63	61992
	620	74	414.6	735	1224	1440	62.5	61992 MA
	680	100	570.4	1039	1148	1350	120	6092 MB
480	600	56	318.6	588	1224	1440	36.5	61896 MA
	650	78	440.1	799	1148	1350	74	61996 MA
	700	100	605.7	1117	1071	1260	125	6096 MB
500	620	37	220	445	800	950	20	608/500
	620	56	325.4	608	1148	1350	40.5	618/500 MA
	660	75	440	720	750	900	68.8	619/500X3F1
	670	78	452.8	848	1071	1260	77	619/500 MA
	720	100	593	1117	995	1170	135	60/500 N1MAS
530	650	56	325.4	645	1071	1260	39.5	618/530 MA
	710	57	410	810	690	840	60	609/530
	710	82	478.3	912	995	1170	90.5	619/530 MA
	780	112	637	1245	918	1080	185	60/530 N1MAS
560	680	37	220	460	710	860	30	608/560
	680	56	338.2	682	995	1170	42	618/560 MA
	750	85	484.2	961	918	1080	105	619/560 MA
	820	115	649.8	1441	918	1080	210	60/560 N1MAS
600	730	42	260	550	670	800	41	608/600
	730	60	356.8	750	918	1080	52	618/600 MA
	800	90	573.4	1197	842	990	125	619/600 MA
	870	118	692	1450	600	700	233	60/600/HC
630	780	48	355	765	640	760	41	608/630
	780	69	433.2	946	842	990	73	618/630 MA
	850	71	475	1050	600	710	112	609/630
	850	100	611.6	1314	842	990	160	619/630 N1MA
	920	128	802.7	1725	765	900	285	60/630 N1MAS
670	820	69	433.2	980	842	990	83.5	618/670 MA
	900	103	662.5	1470	765	900	185	619/670 MA
	980	136	886	1999	689	810	345	60/670 N1MAS
710	870	74	465.6	1078	765	900	93.5	618/710 MA
	950	78	545	1280	500	610	148	609/710
	950	106	649.8	1470	689	810	220	619/710 MA
	1030	140	936.9	2157	650	765	375	60/710 MA
750	920	78	516.5	1226	689	810	110	618/750 MA
	1000	112	745.8	1765	650	765	255	619/750 MA
	1090	150	975	2370	450	530	490	60/750

CUSCINETTI RADIALI AD UNA CORONA DI SFERE RADIAL DEEP GROOVE BALL BEARINGS, SINGLE ROW



Dimensioni (mm) Dimension (mm)			Coefficiente di carico (KN) Load rating (KN)		Velocità limite (giri/min) Speed limit (Rpm)		Peso (Kg) Weight (Kg)	Sigla Designation
d (mm)	D (mm)	B (mm)	Dinamico Dynamic C	Statico Static C ₀	Lubrificazione Lubrication			
					Grasso Grease	Olivo Oil		
800	980	57	390	990	430	510	100	608/800
	980	82	547.9	1343	650	765	130	618/800 MA
	1060	115	815.4	2000	612	720	275	619/800 MA
	1150	155	989.9	2500	574	675	535	60/800 N1MAS
850	1030	57	385	1000	450	500	75	608/850
	1030	82	547.9	1402	574	675	140	618/850 MA
	1120	118	815	2150	400	480	315	619/850
	1220	165	1090	2980	370	430	640	60/850
900	1090	85	605.7	1567	536	630	160	618/900 MA
	1180	122	830	2270	360	440	355	619/900
	1280	170	1080	3120	330	410	725	60/900
950	1150	90	663	1620	360	430	188	618/950F1
	1250	132	985	2850	330	410	395	619/950
	1360	180	1145	3315	310	380	850	60/950
1000	1220	71	540	1550	350	400	175	608/1000
	1220	100	624.3	1765	459	540	245	618/1000 MA
	1320	103	800	2340	330	380	405	609/1000
	1320	140	985	2880	330	380	525	619/1000
	1420	185	1320	3900	280	340	925	60/1000
1060	1280	100	713.5	2077.7	428	504	260	618/1060 MA
	1400	150	985	3030	290	330	615	619/1060
	1500	195	1320	3860	250	330	1090	60/1060
1120	1360	106	726.2	2157	405	477	315	618/1120 MA
	1460	150	1010	3070	270	330	640	619/1120
	1580	200	1430	4480	250	300	1245	60/1120
1180	1420	106	745.8	2312.9	367	432	330	618/1180 MB
	1540	160	1115	3630	210	270	765	619/1180
1250	1500	112	830	2740	210	270	390	618/1250
1280	1560	150	939	2750	220	280	606	66/1280F1
	1320	122	955	2830	200	260	512	618/1320F3
	1720	128	1180	4060	190	230	835	609/1320
1400	1700	132	1070	3980	190	230	620	618/1400
	1820	185	1550	5520	180	230	1260	619/1400
1500	1820	140	1685.7	5980	245	288	690	618/1500 MB
	1950	195	1680	6220	160	190	1515	619/1500
1600	1950	155	1240	4750	150	180	975	618/1600
	2060	200	1820	6880	140	170	1660	619/1600
1700	2060	160	1240	4950	130	160	1110	618/1700
	2180	212	1950	7680	120	150	1930	619/1700

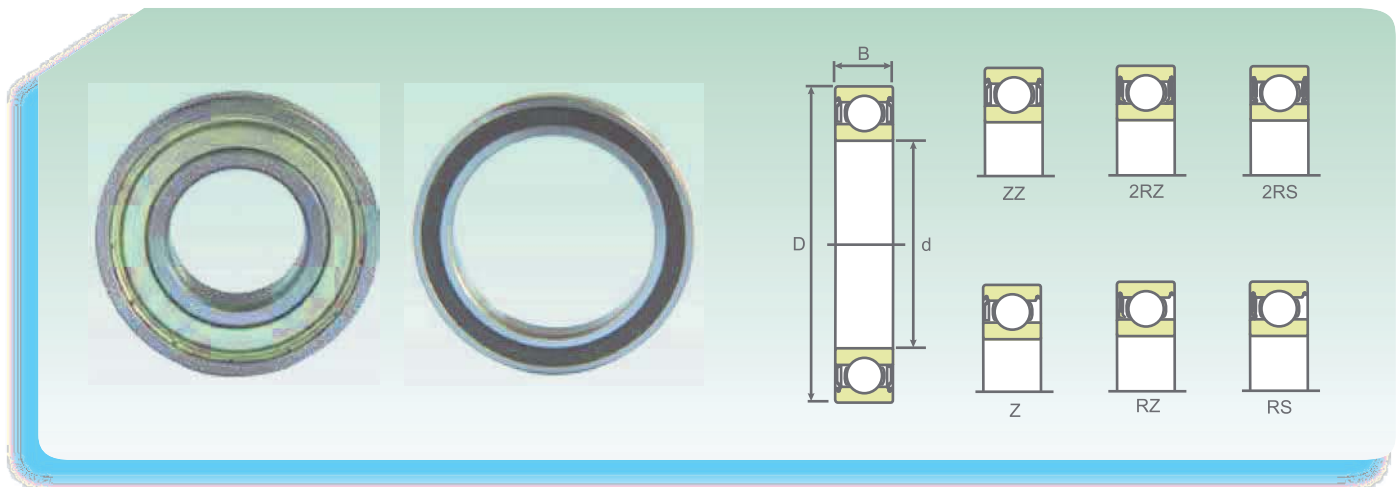
CUSCINETTI RADIALI AD UNA CORONA DI SFERE, SCHERMATI SEALED RADIAL DEEP GROOVE BALL BEARINGS



Dimensioni (mm) Dimension (mm)			Coefficiente di carico (KN) Load rating (KN)		Velocità limite* Speed limit*	Peso (Kg) Weight (Kg)	Sigla Designation	
d (mm)	D (mm)	B (mm)	Dinamico Dynamic C	Statico Static C ₀			Schermo su un lato One side shield	Schermo su entrambi i lati Two side shield
3	10	4	0.53	0.18	57000	0.0015	623-Z	623-ZZ
	10	4	0.53	0.18	38000	0.0015	623-RS	623-2RS
4	9	3.5	0.53	0.18	66500	0.001	-	628/4-ZZ
	9	4	0.53	0.18	66500	0.0013	-	638/4-ZZ
	11	4	0.71	0.23	59850	0.0017	-	619/4-ZZ
	12	4	0.79	0.28	57000	0.0021	604-Z	604-ZZ
	13	5	0.92	0.29	50350	0.0031	624-Z	624-ZZ
	13	5	0.92	0.29	50350	0.0031	624-RS	624-2RS
	16	5	1.09	0.38	45600	0.0054	634-Z	634-ZZ
	16	5	1.09	0.38	45600	0.0054	634-RZ	634-2RZ
5	16	5	1.09	0.38	26600	0.0054	634-RS	634-2RS
	11	4	0.63	0.25	57000	0.0014	-	628/5-ZZ
	11	5	0.63	0.25	57000	0.0016	-	638/5-ZZ
	13	4	0.87	0.34	50350	0.0025	-	619/5-ZZ
	16	5	1.12	0.38	45600	0.005	625-Z	625-ZZ
	16	5	1.12	0.38	45600	0.005	625-RS	625-2RS
	19	6	2.3	0.94	38000	0.009	635-Z	635-ZZ
	19	6	2.3	0.94	38000	0.009	635-RZ	635-2RZ
6	19	6	2.3	0.94	22800	0.009	635-RS	635-2RS
	13	5	0.87	0.34	50350	0.0026	-	628/6-ZZ
	15	5	1.22	0.47	47500	0.0039	-	619/6-ZZ
	19	6	2.3	0.94	38000	0.0084	626-Z	626-ZZ
7	19	6	2.3	0.94	22800	0.0084	626-RS	626-2RS
	14	5	0.94	0.4	47500	0.0031	-	628/7-ZZ
	17	5	1.46	0.55	42750	0.0049	-	619/7-ZZ
	19	6	2.3	0.94	40850	0.0075	607-Z	607-ZZ
	19	6	2.3	0.94	22800	0.0075	607-RS	607-2RS
	22	7	3.39	1.35	34200	0.013	627-Z	627-ZZ
	22	7	3.39	1.35	20900	0.012	627-RS	627-2RS
8	16	5	1.31	0.56	42750	0.0036	-	628/8-ZZ
	16	5	1.31	0.56	24700	0.0036	-	628/8-2RS
	16	6	1.31	0.56	42750	0.0043	-	638/8-ZZ
	19	6	1.87	0.73	38000	0.0071	-	619/8-ZZ
	19	6	1.87	0.73	22800	0.0071	-	619/8-2RS
	22	7	3.39	1.35	36100	0.012	608-Z	608-ZZ
	22	7	3.39	1.35	20900	0.012	608-RS	608-2RS
	22	11	3.39	1.35	20900	0.016	-	630/8-2RS
	24	8	3.83	1.63	30400	0.017	628-Z	628-ZZ
	24	8	3.83	1.63	30400	0.017	628-RZ	628-2RZ
	24	8	3.83	1.63	18050	0.017	628-RS	628-2RS
	28	9	4.53	1.93	28500	0.03	638-RZ	638-2RZ
	9	17	5	1.41	0.63	40850	0.0043	628/9-Z
17		5	1.41	0.63	22800	0.0043	-	628/9-2RS
20		6	2.04	0.85	36100	0.0076	-	619/9-ZZ

* Per i cuscinetti schermati solo da un lato sono valide le velocità limite dei cuscinetti aperti
* For one side shield bearings speed limit, use the same value of open bearings

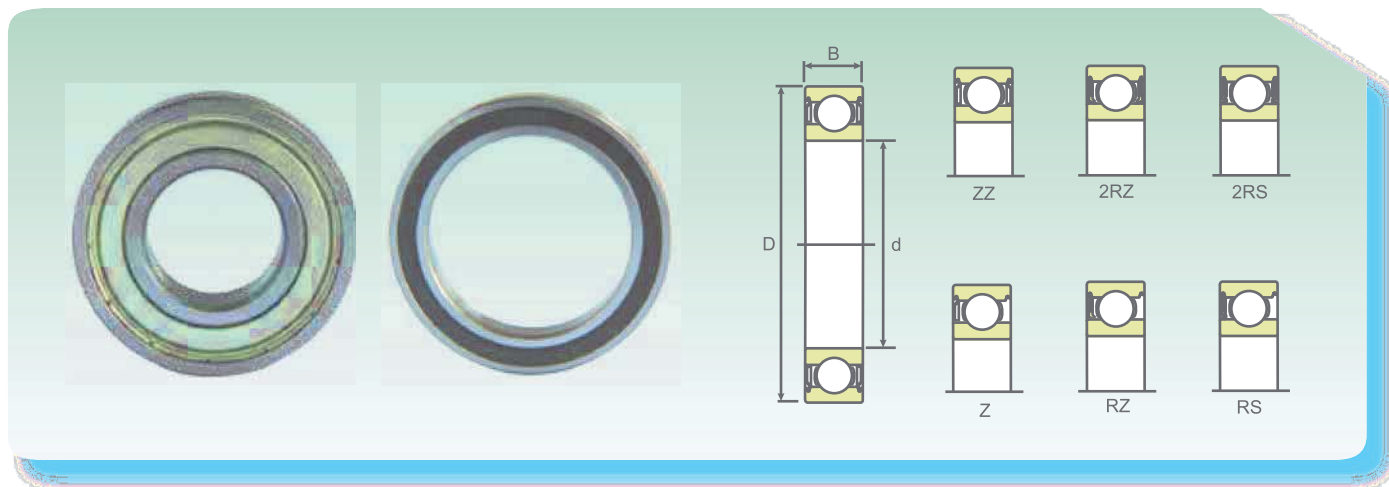
CUSCINETTI RADIALI AD UNA CORONA DI SFERE, SCHERMATI SEALED RADIAL DEEP GROOVE BALL BEARINGS



Dimensioni (mm) Dimension (mm)			Coefficiente di carico (KN) Load rating (KN)		Velocità limite* Speed limit*	Peso (Kg) Weight (Kg)	Sigla Designation	
d (mm)	D (mm)	B (mm)	Dinamico Dynamic C	Statico Static C ₀			Schermo su un lato One side shield	Schermo su entrambi i lati Two side shield
9	24	7	3.83	1.63	32300	0.014	609-Z	609-ZZ
	24	7	3.83	1.63	18050	0.014	609-RS	609-2RS
	26	8	4.66	1.93	28500	0.02	629-Z	629-ZZ
	26	8	4.66	1.93	18050	0.02	629-RS	629-2RS
10	15	4	66	34	36000	0.0055	-	61700ZZ
	19	5	1.36	0.58	36100	0.0055	-	61800-ZZ
	19	5	1.36	0.58	20900	0.0055	-	61800-2RS
	19	7	1.33	0.56	34000	0.0055	-	63800ZZ
	22	6	2.04	0.84	34200	0.01	-	61900-ZZ
	22	6	2.04	0.84	19000	0.01	-	61900-2RS
	26	8	4.66	1.93	32300	0.019	6000-Z	6000-ZZ
	26	8	4.66	1.93	18050	0.019	6000-RS	6000-2RS
	26	12	4.53	1.93	18050	0.025	-	63000-2RS
	28	8	4.53	1.93	30400	0.022	-	16100-ZZ
	30	9	5.3	2.32	26600	0.032	6200-Z	6200-ZZ
	30	9	5.3	2.32	16150	0.032	6200-RS	6200-2RS
	30	14	4.97	2.32	16150	0.04	-	62200-2RS
	35	11	8.35	3.34	24700	0.053	6300-Z	6300-ZZ
	35	11	8.35	3.34	14250	0.053	6300-RS	6300-2RS
35	17	7.9	3.34	14250	0.06	-	62300-2RS	
12	18	4	72	41	31000	0.0063	-	61701-ZZ
	21	5	1.41	0.66	34200	0.0063	-	61801-ZZ
	21	5	1.41	0.66	19000	0.0063	-	61801-2RS
	21	7	1.49	0.68	30500	0.0063	-	63801-ZZ
	24	6	2.21	0.97	30400	0.011	-	61901-ZZ
	24	6	2.21	0.97	18050	0.011	-	61901-2RS
	28	8	5.3	2.32	28500	0.022	6001-Z	6001-ZZ
	28	8	5.3	2.32	16150	0.022	6001-RS	6001-2RS
	28	12	4.97	2.32	16150	0.029	-	63001-2RS
	30	8	4.97	2.32	26600	0.023	-	16101-ZZ
	30	8	4.97	2.32	15200	0.023	-	16101-2RS
	32	10	7.14	3.04	24700	0.037	6201-Z	6201-ZZ
	32	10	7.14	3.04	14250	0.037	6201-RS	6201-2RS
	32	14	6.76	3.04	14250	0.045	-	62201-2RS
	37	12	9.9	4.07	20900	0.06	6301-Z	6301-ZZ
	37	12	9.9	4.07	13300	0.06	6301-RS	6301-2RS
	37	17	9.56	4.07	13300	0.07	-	62301-2RS
15	21	4	81	44	27000	0.0074	-	61702-ZZ
	24	5	1.53	0.79	28500	0.0074	-	61802-ZZ
	24	5	1.53	0.79	16150	0.0074	-	61802-2RS
	24	7	1.62	0.79	26000	0.016	-	613802-ZZ
	28	7	4.28	2.2	26600	0.016	-	61902-ZZ
	28	7	4.28	2.2	26600	0.016	-	61902-2RZ
	28	7	4.28	2.2	15200	0.016	-	61902-2RS
	32	8	5.74	2.8	24700	0.025	16002-Z	16002-ZZ
	32	9	5.74	2.8	24700	0.03	6002-Z	6002-ZZ
	32	9	5.74	2.8	13300	0.03	6002-RS	6002-2RS

* Per i cuscinetti schermati solo da un lato sono valide le velocità limite dei cuscinetti aperti
* For one side shield bearings speed limit, use the same value of open bearings

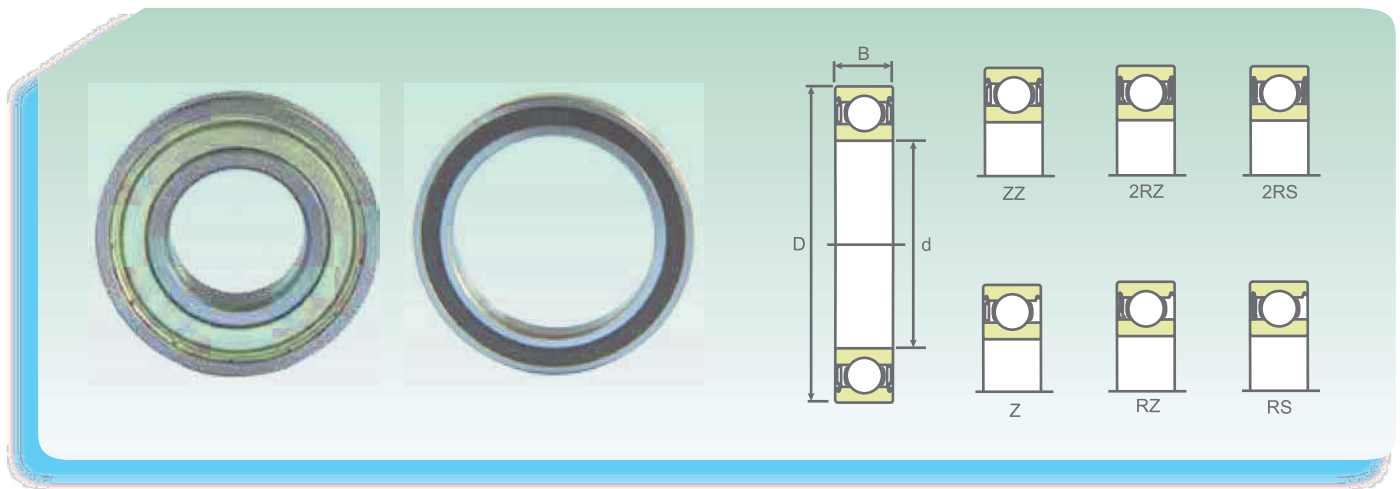
CUSCINETTI RADIALI AD UNA CORONA DI SFERE, SCHERMATI SEALED RADIAL DEEP GROOVE BALL BEARINGS



Dimensioni (mm) Dimension (mm)			Coefficiente di carico (KN) Load rating (KN)		Velocità limite* Speed limit*	Peso (Kg) Weight (Kg)	Sigla Designation	
d (mm)	D (mm)	B (mm)	Dinamico Dynamic C	Statico Static C ₀			Schermo su un lato One side shield	Schermo su entrambi i lati Two side shield
15	32	13	5.48	2.8	13300	0.039	-	63002-2RS
	35	11	7.9	3.68	20900	0.045	6202-Z	6202-ZZ
	35	11	7.9	3.68	12350	0.045	6202-RS	6202-2RS
	35	14	7.65	3.68	12350	0.054	-	62202-2RS
	42	13	11.67	5.3	18050	0.082	6302-Z	6302-ZZ
	42	13	11.67	5.3	11400	0.082	6302-RS	6302-2RS
	42	17	11.18	5.3	11400	0.11	-	62302-2RS
17	23	4	80	50	25000	0.0082	-	61703-ZZ
	26	5	1.65	0.92	26600	0.0082	-	61803-ZZ
	26	5	1.65	0.92	26600	0.0082	-	61803-2RZ
	26	5	1.65	0.92	15200	0.0082	-	61803-2RS
	26	7	1.75	0.90	24000	0.0082	-	63803-ZZ
	30	7	4.53	2.5	24700	0.018	-	61903-ZZ
	30	7	4.53	2.5	24700	0.018	-	61903-RZ
	30	7	4.53	2.5	13300	0.018	-	61903-2RS
	35	8	6.25	3.19	20900	0.032	-	16003-ZZ
	35	10	6.25	3.19	20900	0.039	6003-Z	6003-ZZ
	35	10	6.25	3.19	12350	0.039	6003-RS	6003-2RS
	35	14	5.93	3.19	12350	0.052	-	63003-2RS
	40	12	9.76	4.66	18050	0.065	6203-Z	6203-ZZ
	40	12	9.76	4.66	11400	0.065	6203-RS	6203-2RS
	40	16	9.37	4.66	11400	0.083	-	62203-2RS
	47	14	14.02	6.42	16150	0.12	6303-Z	6303-ZZ
47	14	14.02	6.42	10450	0.12	6303-RS	6303-2RS	
47	19	13.23	6.42	10450	0.15	-	62303-2RS	
20	27	4	84	57	21000	0.018	-	61704-ZZ
	32	7	3.95	2.28	20900	0.018	-	61804-2RZ
	32	7	3.95	2.28	12350	0.018	-	61804-2RS
	37	9	6.25	3.58	19000	0.038	-	61904-2RZ
	37	9	6.25	3.58	11400	0.038	-	61904-2RS
	42	12	9.76	4.9	18050	0.069	6004-Z	6004-ZZ
	42	12	9.76	4.9	10450	0.069	6004-RS	6004-2RS
	42	16	9.18	4.9	10450	0.086	-	63004-2RS
	47	14	13.23	6.42	16150	0.11	6204-Z	6204-ZZ
	47	14	13.23	6.42	9500	0.11	6204-RS	6204-2RS
	47	18	12.45	6.42	9500	0.13	-	62204-2RS
	52	15	16.47	7.65	14250	0.14	6304-Z	6304-ZZ
	52	15	16.47	7.65	9025	0.14	6304-RS	6304-2RS
	52	21	15.59	7.65	9025	0.2	-	62304-2RS
22	50	14	13.72	7.5	8550	0.12	-	62/22-2RS
25	32	4	90	66	19000	23000	-	61705ZZ
	37	7	4.28	2.55	18050	0.022	-	61805-2RZ
	37	7	4.28	2.55	10450	0.022	-	61805-2RS
	42	9	6.88	4.22	17100	0.045	-	61905-2RZ
	42	9	6.88	4.22	9500	0.045	-	61905-2RS
	47	12	11.67	6.42	15200	0.08	6005-Z	6005-ZZ

* Per i cuscinetti schermati solo da un lato sono valide le velocità limite dei cuscinetti aperti
* For one side shield bearings speed limit, use the same value of open bearings

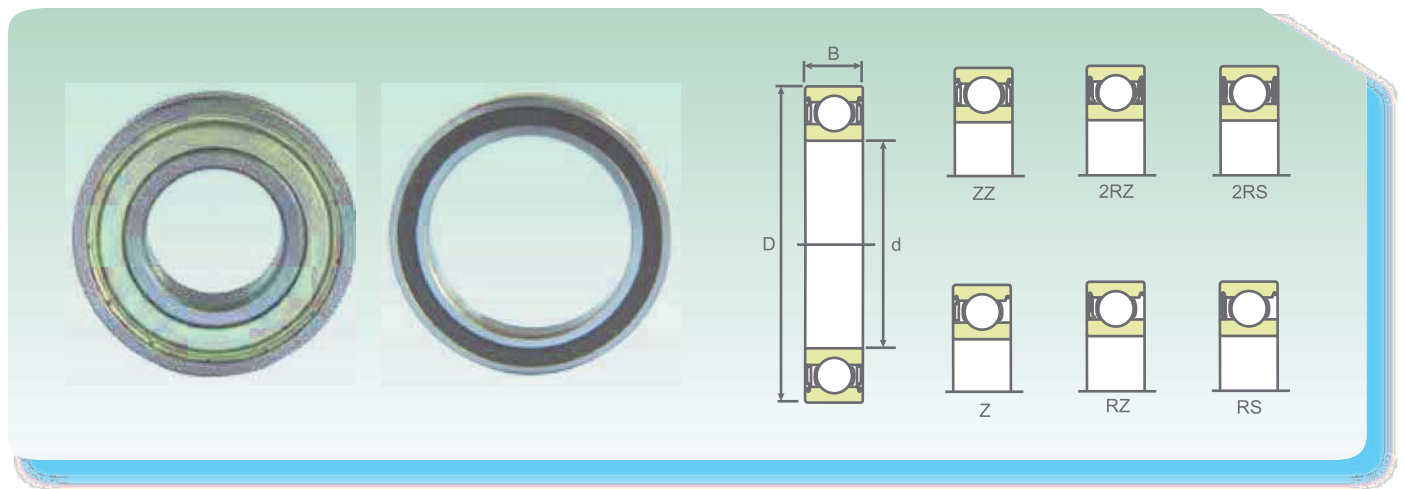
CUSCINETTI RADIALI AD UNA CORONA DI SFERE, SCHERMATI SEALED RADIAL DEEP GROOVE BALL BEARINGS



Dimensioni (mm) Dimension (mm)			Coefficiente di carico (KN) Load rating (KN)		Velocità limite* Speed limit*	Peso (Kg) Weight (Kg)	Sigla Designation	
d (mm)	D (mm)	B (mm)	Dinamico Dynamic C	Statico Static C ₀			Schermo su un lato One side shield	Schermo su entrambi i lati Two side shield
25	47	12	11.67	6.42	9025	0.08	6005-RS	6005-2RS
	47	16	10.98	6.42	9025	0.1	-	63005-2RS
	52	15	14.51	7.65	13300	0.13	6205-Z	6205-ZZ
	52	15	14.51	7.65	8075	0.13	6205-RS	6205-2RS
	52	18	13.72	7.65	8075	0.15	-	62205-2RS
	62	17	22.94	11.37	12350	0.23	6305-Z	6305-ZZ
	62	17	22.94	11.37	12350	0.23	6035-RZ	6305-2RZ
	62	17	22.94	11.37	7125	0.23	6035-RS	6305-2RS
	62	24	22.05	11.37	7125	0.32	-	62305-2RS
30	37	4	95	76	17000	0.027	-	61706ZZ
	42	7	4.41	2.85	15200	0.027	-	61806-2RZ
	42	7	4.41	2.85	9025	0.027	-	61806-2RS
	47	9	7.14	4.46	14250	0.051	-	61906-2RZ
	47	9	7.14	4.46	8075	0.051	-	61906-2RS
	55	13	13.53	8.14	13300	0.12	6006-Z	6006-ZZ
	55	13	13.53	8.14	13300	0.12	6006-RZ	6006-2RZ
	55	13	13.53	8.14	7600	0.12	6006-RS	6006-2RS
	55	19	13.04	8.14	7600	0.16	-	63006-2RS
	62	16	19.9	10.98	11400	0.2	6206-Z	6206-ZZ
	62	16	19.9	10.98	11400	0.2	6206-RZ	6206-2RZ
	62	16	19.9	10.98	7125	0.2	6206-RS	6206-2RS
	62	20	19.11	10.98	7125	0.24	-	62206-2RS
	72	19	29.01	15.68	10450	0.35	6306-Z	6306-ZZ
	72	19	29.01	15.68	10450	0.35	6306-RZ	6306-2RZ
72	19	29.01	15.68	5985	0.35	6306-RS	6306-2RS	
72	27	27.54	15.68	5985	0.48	-	62306-2RS	
35	44	5	155	130	14000	0.03	-	61707ZZ
	47	7	4.66	3.14	13300	0.03	-	61807-2RZ
	47	7	4.66	3.14	7600	0.03	-	61807-2RS
	55	10	9.37	6.67	12350	0.08	-	61907-2RZ
	55	10	9.37	6.67	7125	0.08	-	61907-2RS
	62	14	16.47	10	11400	0.16	6007-Z	6007-ZZ
	62	14	16.47	10	11400	0.16	6007-RZ	6007-2RZ
	62	14	16.47	10	6650	0.16	6007-RS	6007-2RS
	62	20	15.59	10	6650	0.21	-	63007-2RS
	72	17	26.46	15	9500	0.29	6207-Z	6207-ZZ
	72	17	26.46	15	5985	0.29	6207-RS	6207-2RS
	72	23	24.99	15	5985	0.37	-	62207-2RS
	80	21	34.4	18.62	9025	0.46	6307-Z	6307-ZZ
	80	21	34.4	18.62	5700	0.46	6307-RS	6307-2RS
	80	31	32.54	18.62	5700	0.66	-	62307-2RS
	40	50	6	207	177	13000	0.034	-
52		7	4.85	3.39	12350	0.034	-	61808-2RZ
52		7	4.85	3.39	7125	0.034	-	61808-2RS
62		12	13.53	9.8	11400	0.12	-	61908-2RZ
62		12	13.53	9.8	6365	0.12	-	61908-2RS
68		15	17.45	11.37	10450	0.19	6008-Z	6008-ZZ

* Per i cuscinetti schermati solo da un lato sono valide le velocità limite dei cuscinetti aperti
* For one side shield bearings speed limit, use the same value of open bearings

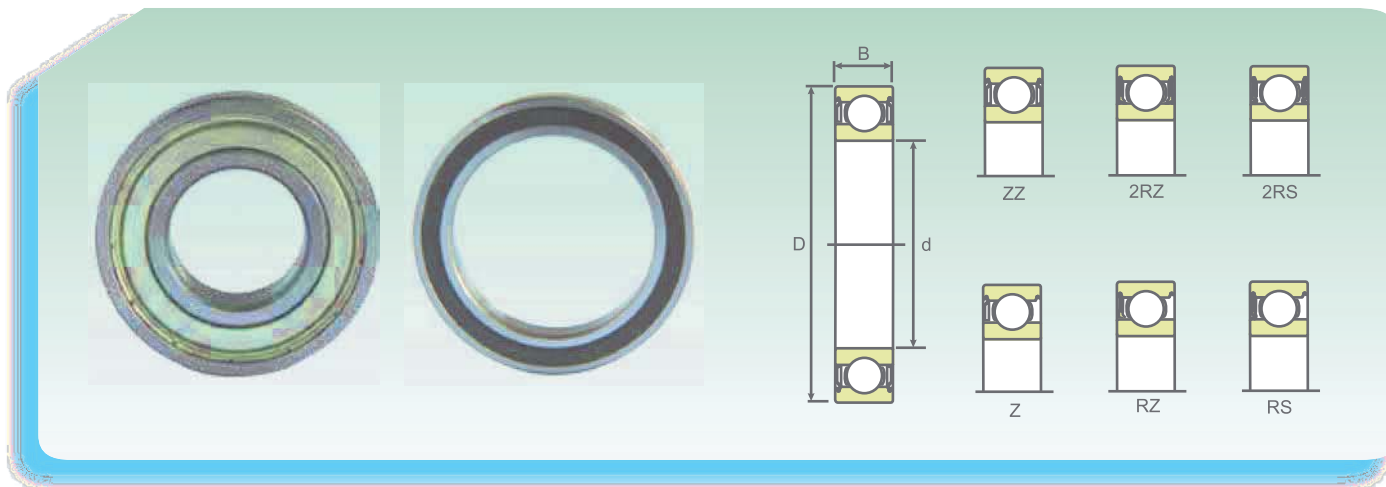
CUSCINETTI RADIALI AD UNA CORONA DI SFERE, SCHERMATI SEALED RADIAL DEEP GROOVE BALL BEARINGS



Dimensioni (mm) Dimension (mm)			Coefficiente di carico (KN) Load rating (KN)		Velocità limite* Speed limit*	Peso (Kg) Weight (Kg)	Sigla Designation	
d (mm)	D (mm)	B (mm)	Dinamico Dynamic C	Statico Static C ₀			Schermo su un lato One side shield	Schermo su entrambi i lati Two side shield
40	68	15	17.45	11.37	10450	0.19	6008-RZ	6008-2RZ
	68	15	17.45	11.37	5985	0.19	6008-RS	6008-2RS
	68	21	16.47	11.37	5985	0.26	-	63008-2RS
	80	18	31.85	18.62	8550	0.37	6208-RZ	6208-2RZ
	80	18	31.85	18.62	8550	0.37	6208-Z	6208-ZZ
	80	18	31.85	18.62	5320	0.37	6208-RS	6208-2RS
	80	23	30.09	18.62	5320	0.44	-	62208-2RS
	90	23	41.46	23.52	8075	0.63	6308-Z	6308-ZZ
	90	23	41.46	23.52	8075	0.63	6308-RZ	6308-2RZ
	90	23	41.46	23.52	4750	0.63	6308-RS	6308-2RS
	90	33	40.18	23.52	4750	0.89	-	62308-2RS
	45	55	6	213	192	12000	0.04	-
58		7	6.5	5.98	10450	0.04	-	61809-2RZ
58		7	6.5	5.98	6365	0.04	-	61809-2RS
68		12	13.72	10.59	9500	0.14	-	61909-2RZ
68		12	13.72	10.59	5700	0.14	-	61909-2RS
75		16	21.66	14.31	9500	0.25	6009-Z	6009-ZZ
75		16	21.66	14.31	5320	0.25	6009-RS	6009-2RS
75		23	20.39	14.31	5320	0.34	-	63009-2RS
85		19	34.4	21.17	8075	0.41	6209-Z	6209-ZZ
85		19	34.4	21.17	4750	0.41	6209-RS	6209-2RS
85		23	32.54	21.17	4750	0.48	-	62209-2RS
100		25	54.2	30.87	7125	0.83	6309-Z	6309-ZZ
100		25	54.2	30.87	4275	0.83	6309-RS	6309-2RS
100		36	51.65	30.87	4275	1.15	-	62309-2RS
50	65	7	6.63	6.67	9500	0.052	-	61810-2RZ
	65	7	6.63	6.67	5700	0.052	-	61810-2RS
	72	12	14.31	11.57	9025	0.14	-	61910-2RZ
	72	12	14.31	11.57	5320	0.14	-	61910-2RS
	80	16	22.45	15.68	8550	0.26	6010-Z	6010-ZZ
	80	16	22.45	15.68	8550	0.26	6010-RZ	6010-2RZ
	80	16	22.45	15.68	4750	0.26	6010-RS	6010-2RS
	80	23	21.17	15.68	4750	0.37	-	63010-2RS
	90	20	36.36	22.74	7600	0.46	6210-Z	6210-ZZ
	90	20	36.36	22.74	7600	0.46	6210-RZ	6210-2RZ
	90	20	36.36	22.74	4560	0.46	6210-RS	6210-2RS
	90	23	34.4	22.74	4560	0.52	-	62210-2RS
	110	27	63.7	37.24	6365	1.05	6310-Z	6310-ZZ
	110	27	63.7	37.24	4085	1.05	6310-RS	6310-2RS
	110	40	60.57	37.24	4085	1.55	-	62310-2RS
55	72	9	8.86	8.63	9025	0.083	-	61811-2RZ
	72	9	8.86	8.63	5035	0.083	-	61811-2RS
	80	13	16.17	13.72	8075	0.19	-	61911-2RZ
	80	13	16.17	13.72	4750	0.19	-	61911-2RS
	90	18	29.01	20.78	7600	0.39	6011-Z	6011-ZZ
	90	18	29.01	20.78	4275	0.39	6011-RS	6011-2RS
	100	21	45.28	28.42	6650	0.61	6211-Z	6211-ZZ

* Per i cuscinetti schermati solo da un lato sono valide le velocità limite dei cuscinetti aperti
* For one side shield bearings speed limit, use the same value of open bearings

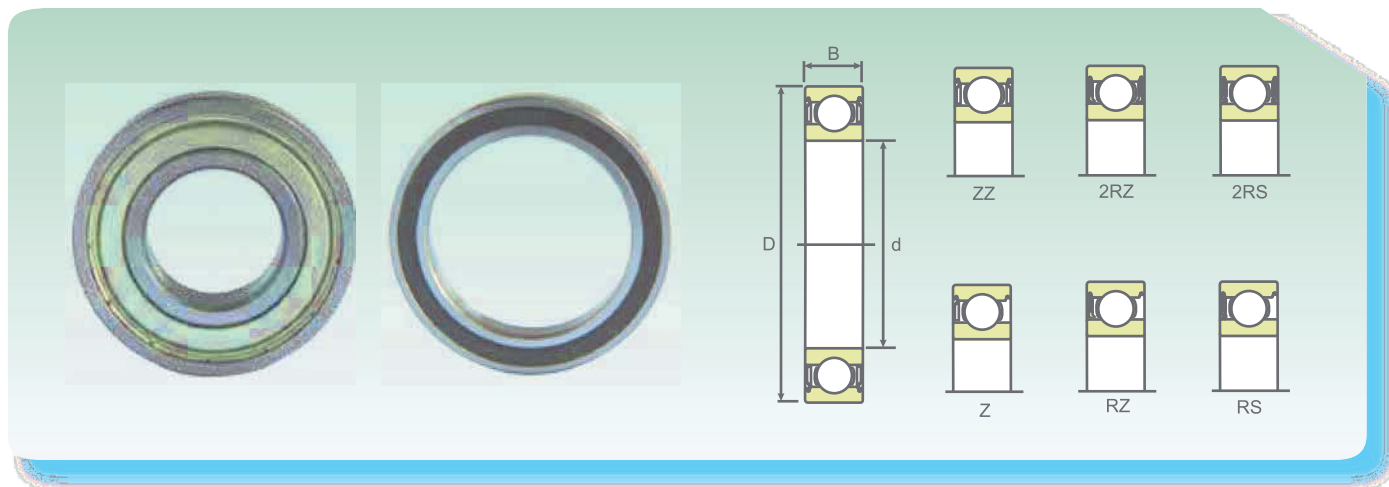
CUSCINETTI RADIALI AD UNA CORONA DI SFERE, SCHERMATI SEALED RADIAL DEEP GROOVE BALL BEARINGS



Dimensioni (mm) Dimension (mm)			Coefficiente di carico (KN) Load rating (KN)		Velocità limite* Speed limit*	Peso (Kg) Weight (Kg)	Sigla Designation	
d (mm)	D (mm)	B (mm)	Dinamico Dynamic C	Statico Static C ₀			Schermo su un lato One side shield	Schermo su entrambi i lati Two side shield
55	100	21	45.28	28.42	4085	0.61	6211-RS	6211-2RS
	100	25	42.73	28.42	4085	0.7	-	62211-2RS
	120	29	72.62	44.1	5985	1.35	6311-Z	6311-ZZ
	120	29	72.62	44.1	3610	1.35	6311-RS	6311-2RS
	120	43	70.07	44.1	3610	1.95	-	62311-2RS
60	78	10	11.67	11.18	8075	0.11	-	61812-2RZ
	78	10	11.67	11.18	4560	0.11	-	61812-2RS
	85	13	16.17	14.02	7600	0.2	-	61912-2RZ
	85	13	16.17	14.02	4275	0.2	-	61912-2RS
	95	18	30.09	22.74	7125	0.42	6012-Z	6012-ZZ
	95	18	30.09	22.74	7125	0.42	6012-RZ	6012-2RZ
	95	18	30.09	22.74	4085	0.42	6012-RS	6012-2RS
60	110	22	54.2	35.28	5985	0.78	6212-Z	6212-ZZ
	110	22	54.2	35.28	3800	0.78	6212-RS	6212-2RS
	110	28	51.65	35.28	3800	0.97	-	62212-2RS
	130	31	83.5	50.96	5320	1.7	6312-Z	6312-ZZ
	130	31	83.5	50.96	3230	1.7	6312-2RS	6312-2RS
	130	46	80.27	50.96	3230	2.5	-	62312-2RS
65	85	10	12.16	12.45	7600	0.13	-	61813-2RZ
	85	10	12.16	12.45	4275	0.13	-	61813-2RS
	90	13	17.06	15.68	7125	0.22	-	61913-2RZ
	90	13	17.06	15.68	4085	0.22	-	61913-2RS
	100	18	31.27	24.5	6650	0.44	6013-Z	6013-ZZ
	100	18	31.27	24.5	3800	0.44	6013-RS	6013-2RS
	120	23	57.33	39.69	5700	0.99	6213-Z	6213-ZZ
	120	23	57.33	39.69	3420	0.99	6213-RS	6213-2RS
	120	31	54.79	39.69	3420	1.25	-	62213-2RS
	140	33	95.55	58.8	5035	2.1	6313-Z	6313-ZZ
	140	33	95.55	58.8	3040	2.1	6313-RS	6313-2RS
	140	48	90.46	58.8	3040	3	-	62313-2RS
70	90	10	12.16	12.94	7125	0.14	-	61814-2RZ
	90	10	12.16	12.94	4085	0.14	-	61814-2RS
	100	16	23.33	20.78	6650	0.35	-	61914-2RZ
	100	16	23.33	20.78	3800	0.35	-	61914-2RS
	110	20	38.91	30.38	5985	0.6	6014-Z	6014-ZZ
	110	20	38.91	30.38	3420	0.6	6014-RS	6014-2RS
	125	24	62.43	44.1	5320	1.1	6214-Z	6214-ZZ
	125	24	62.43	44.1	3230	1.1	6214-RS	6214-2RS
	125	31	59.29	44.1	3230	1.3	-	62214-2RS
	150	35	108.78	66.64	4750	2.5	6314-Z	6314-ZZ
	150	35	108.78	66.64	2850	2.5	6314-RS	6314-2RS
	150	51	101.92	66.64	2850	3.55	-	62314-2RS
75	95	10	12.45	14.02	6650	0.15	-	61815-2RZ
	95	10	12.45	14.02	3800	0.15	-	61815-2RS
	105	16	23.72	18.92	5985	0.37	-	61915-2RZ
	105	16	23.72	18.92	3420	0.37	-	61915-2RS

* Per i cuscinetti schermati solo da un lato sono valide le velocità limite dei cuscinetti aperti
* For one side shield bearings speed limit, use the same value of open bearings

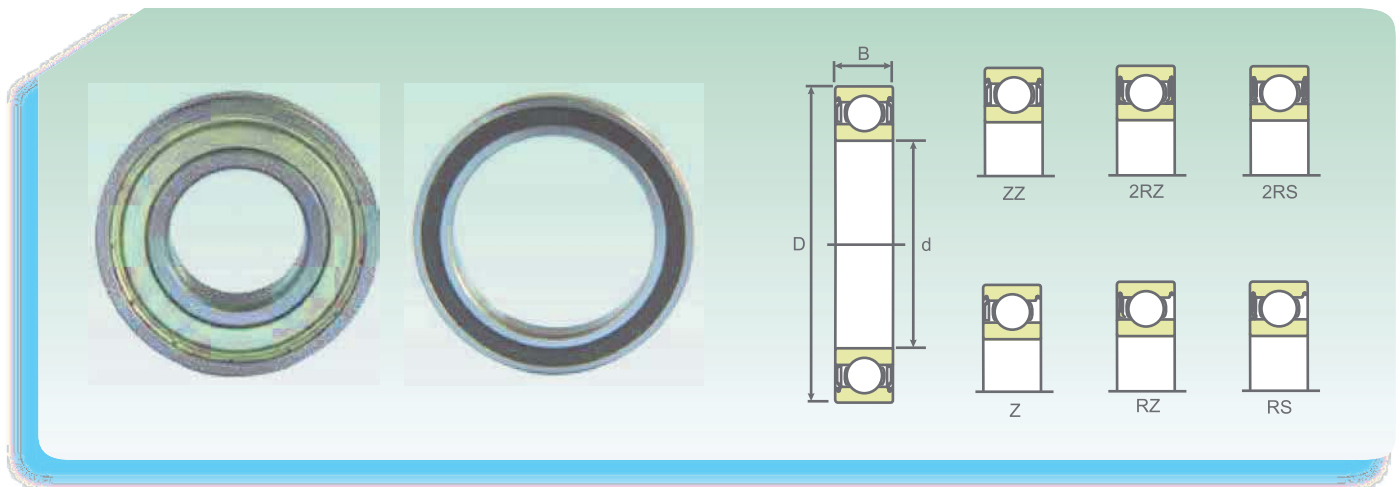
CUSCINETTI RADIALI AD UNA CORONA DI SFERE, SCHERMATI SEALED RADIAL DEEP GROOVE BALL BEARINGS



Dimensioni (mm) Dimension (mm)			Coefficiente di carico (KN) Load rating (KN)		Velocità limite* Speed limit*	Peso (Kg) Weight (Kg)	Sigla Designation	
d (mm)	D (mm)	B (mm)	Dinamico Dynamic C	Statico Static C ₀			Schermo su un lato One side shield	Schermo su entrambi i lati Two side shield
75	115	20	40.77	32.83	5700	0.64	6015-Z	6015-ZZ
	115	20	40.77	32.83	5700	0.64	6015-RZ	6015-2RZ
	115	20	40.77	32.83	3230	0.64	6015-RS	6015-2RS
	130	25	67.53	48.02	5035	1.2	6215-Z	6215-ZZ
	130	25	67.53	48.02	3040	1.2	6215-RS	6215-2RS
	160	37	116.62	74.97	4275	3	6315-Z	6315-ZZ
	160	37	116.62	74.97	2660	3	6315-RS	6315-2RS
80	100	10	12.8	14.7	5985	0.15	-	61816-2RZ
	100	10	12.8	14.7	3420	0.15	-	61816-2RS
	110	16	24.6	20	5700	0.4	-	61916-2RZ
	110	16	24.6	20	3230	0.4	-	61916-2RS
	125	22	48.5	39.2	3040	0.85	6016-RS	6016-2RS
	140	26	71.4	53.9	4560	1.4	6216-Z	6216-ZZ
	125	22	48.5	39.2	5320	0.85	6016-Z	6016-ZZ
	140	26	71.4	53.9	2850	1.4	6216-RS	6216-2RS
	170	39	127.4	84.8	4085	3.6	6316-Z	6316-ZZ
	170	39	127.4	84.8	2470	3.6	6316-RS	6316-2RS
85	110	13	19.2	20.4	5700	0.27	-	61817-2RZ
	110	13	19.2	20.4	3230	0.27	-	61817-2RS
	130	22	51	42.2	5035	0.89	6017-Z	6017-ZZ
	130	22	51	42.2	2850	0.89	6017-RS	6017-2RS
	150	28	85.4	62.8	4275	1.8	6217-Z	6217-ZZ
	150	28	85.4	62.8	2660	1.8	6217-RS	6217-2RS
	180	41	137.2	94.6	3800	4.25	6317-Z	6317-ZZ
180	41	137.2	94.6	2280	4.25	6317-RS	6317-2RS	
90	115	13	19.2	21.6	5320	0.28	-	61818-2RZ
	115	13	19.2	21.6	3040	0.28	-	61818-2RS
	140	24	59.3	49	4750	1.15	6018-Z	6018-ZZ
	140	24	59.3	49	2660	1.15	6018-RS	6018-2RS
	160	30	99	72.1	4085	2.15	6218-Z	6218-ZZ
	160	30	99	72.1	2470	2.15	6218-RS	6218-2RS
	190	43	148	105.9	3610	4.9	6318-Z	6318-ZZ
190	43	148	105.9	2280	4.9	6318-RS	6318-2RS	
95	120	13	19.6	22.4	5035	0.3	-	61819-2RZ
	120	13	19.6	22.4	2850	0.3	-	61819-2RS
	130	18	33.2	32.9	2850	0.61	-	61919-2RS
	145	24	62.5	53	4560	1.2	6019-Z	6019-ZZ
	145	24	62.5	53	2660	1.2	6019-RS	6019-2RS
	170	32	111.8	79.9	3800	2.6	6219-Z	6219-ZZ
	170	32	111.8	79.9	2280	2.6	6219-RS	6219-2RS
	200	45	155.9	115.7	3420	5.65	6319-Z	6319-ZZ
	200	45	155.9	115.7	2090	5.65	6319-RS	6319-2RS

* Per i cuscinetti schermati solo da un lato sono valide le velocità limite dei cuscinetti aperti
* For one side shield bearings speed limit, use the same value of open bearings

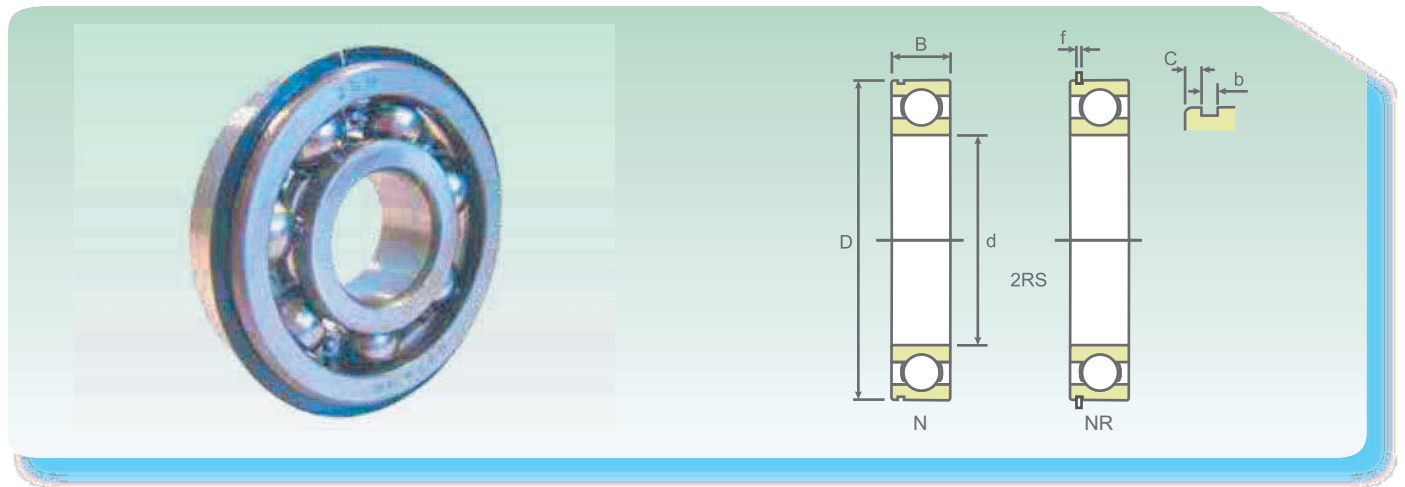
CUSCINETTI RADIALI AD UNA CORONA DI SFERE, SCHERMATI SEALED RADIAL DEEP GROOVE BALL BEARINGS



Dimensioni (mm) Dimension (mm)			Coefficiente di carico (KN) Load rating (KN)		Velocità limite* Speed limit*	Peso (Kg) Weight (Kg)	Sigla Designation	
d (mm)	D (mm)	B (mm)	Dinamico Dynamic C	Statico Static C ₀			Schermo su un lato One side shield	Schermo su entrambi i lati Two side shield
100	125	13	19.6	23.6	5035	0.31	-	61820-2RZ
	125	13	19.6	23.6	2850	0.31	-	61820-2RS
	150	24	62.5	53	4275	1.25	6020-Z	6020-ZZ
	150	24	62.5	53	2470	1.25	6020-RS	6020-2RS
	180	34	124.5	91.2	3610	3.15	6220-Z	6220-ZZ
	180	34	124.5	91.2	2280	3.15	6220-RS	6220-2RS
105	130	13	20.4	19.3	4750	0.32	-	61821-2RZ
	130	13	20.4	19.3	2660	0.32	-	61821-2RS
	160	26	74.6	64.2	4085	1.6	6021-Z	6021-ZZ
	160	26	74.6	64.2	2280	1.6	6021-RS	6021-2RS
	190	36	137.2	102	3420	3.7	6221-Z	6221-ZZ
	190	36	137.2	102	2090	3.7	6221-RS	6221-2RS
110	225	49	178.4	150	3040	8.25	6321-Z	6321-ZZ
	140	16	27.6	25.5	4275	0.6	-	61822-2RZ
	140	16	27.6	25.5	2470	0.6	-	61822-2RS
	170	28	83.5	72.1	3800	1.95	6022-Z	6022-ZZ
	170	28	83.5	72.1	2280	1.95	6022-RS	6022-2RS
120	200	38	148	1095.7	3230	4.35	6222-Z	6222-ZZ
	150	16	28.6	27.5	4085	0.65	-	61824-2RZ
	150	16	28.6	27.5	2280	0.65	-	61824-2RS
	180	28	86.7	78.4	3610	2.05	6024-Z	6024-ZZ
	180	28	86.7	78.4	2090	2.05	6024-RS	6024-2RS
130	215	40	143.1	115.7	3040	5.15	6224-Z	6224-ZZ
	165	18	37	42.2	3610	0.93	-	61826-2RZ
	165	18	37	42.2	2090	0.93	-	61826-2RS
	200	33	109.8	98	3230	3.15	6026-Z	6026-ZZ
	200	33	109.8	98	1900	3.15	6026-RS	6026-2RS
140	230	40	152.9	129.4	2850	5.8	6226-Z	6226-ZZ
	175	18	38.3	45.6	3420	0.99	-	61828-2RZ
	175	18	38.3	45.6	1900	0.99	-	61828-2RS
	210	33	108.8	105.9	3040	3.35	6028-Z	6028-ZZ
150	210	33	108.8	105.9	1710	3.35	6028-RS	6028-2RS
	225	35	122.5	122.5	2850	4.8	6030-Z	6030-ZZ
160	225	35	122.5	122.5	1615	4.8	6030-RS	6030-2RS
	240	38	140.2	140.2	2660	5.9	6032-Z	6032-ZZ
	240	38	140.2	140.2	1520	5.9	6032-RS	6032-2RS

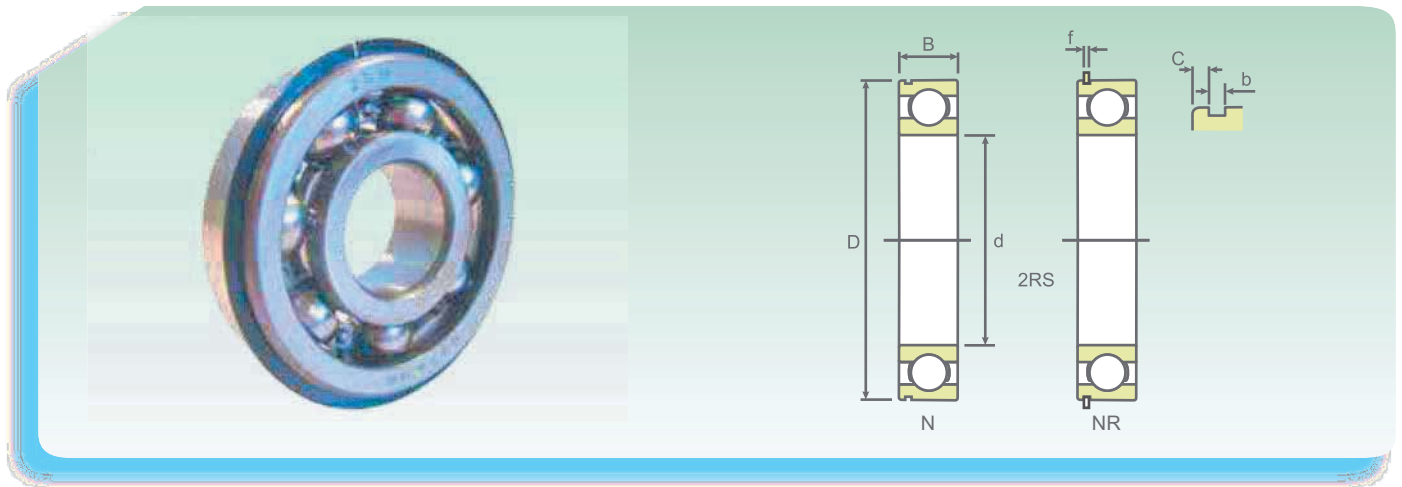
* Per i cuscinetti schermati solo da un lato sono valide le velocità limite dei cuscinetti aperti
* For one side shield bearings speed limit, use the same value of open bearings

CUSCINETTI RADIALI AD UNA CORONA DI SFERE, CON SCANALATURA PER ANELLO DI ANCORAGGIO SEALED RADIAL DEEP GROOVE BALL BEARINGS, WITH SNAP RING



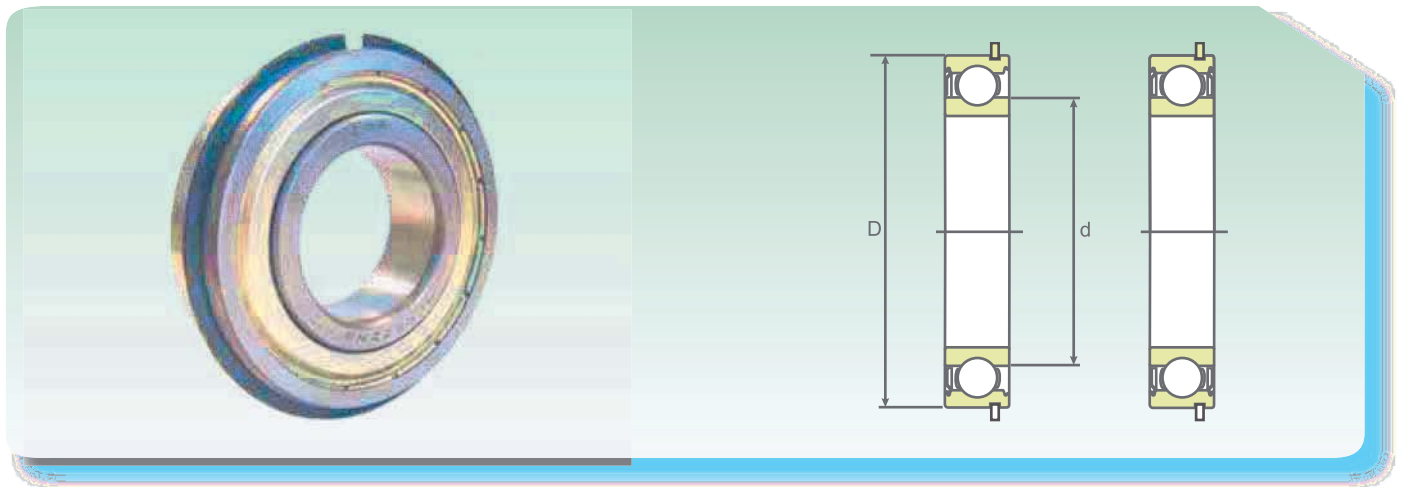
Dimensioni (mm) Dimension (mm)						Coefficiente di carico (KN) Load rating (KN)		Velocità limite (giri/min) Speed limit (Rpm)		Peso (Kg) Weight (Kg)	Sigla Designation		Anello di ancoraggio Snap ring
d (mm)	D (mm)	B (mm)	b (mm)	C (mm)	f (mm)	Dinamico Dynamic C	Statico Static C ₀	Lubrificazione Lubrication			Con scanalatura With snap ring groove	Con anello With locating snap ring	
								Grasso Grease	Olio Oil				
10	30	9	1.35	2.06	1.12	5.3	2.32	26010	30600	0.032	6200 N	6200 NR	SP 30
12	32	10	1.35	2.06	1.12	7.14	3.04	24480	28800	0.037	6201 N	6201 NR	SP 32
15	35	11	1.35	2.06	1.12	7.9	3.68	21420	25200	0.045	6202 N	6202 NR	SP 35
17	40	12	1.35	2.06	1.12	9.76	4.66	18360	21600	0.065	6203 N	6203 NR	SP 40
	47	14	1.35	2.46	1.12	14.02	6.42	16830	19800	0.12	6303 N	6303 NR	SP 47
20	42	12	1.35	2.06	1.12	9.76	4.9	18360	21600	0.069	6004 N	6004 NR	SP 42
	47	14	1.35	2.46	1.12	13.23	6.42	15300	18000	0.11	6204 N	6204 NR	SP 47
	52	15	1.35	2.46	1.12	16.47	7.65	14535	17100	0.14	6304 N	6304 NR	SP 52
25	47	12	1.35	2.06	1.12	11.67	6.42	15300	18000	0.08	6005 N	6005 NR	SP 47
	52	15	1.35	2.46	1.12	14.51	7.65	13770	16200	0.13	6205 N	6205 NR	SP 52
	62	17	1.9	3.28	1.7	22.94	11.37	12240	14400	0.23	6305 N	6305 NR	SP 62
30	55	13	1.35	2.06	1.12	13.53	8.14	13005	15300	0.12	6006 N	6006 NR	SP 55
	62	16	1.9	3.28	1.7	19.9	10.98	11475	13500	0.2	6206 N	6206 NR	SP 62
	72	19	1.9	3.28	1.7	29.01	15.68	9945	11700	0.35	6306 N	6306 NR	SP 72
35	62	14	1.9	2.06	1.7	16.47	10	11475	13500	0.16	6007 N	6007 NR	SP 62
	72	17	1.9	3.28	1.7	26.46	15	9945	11700	0.29	6207 N	6207 NR	SP 72
	80	21	1.9	3.28	1.7	34.4	18.62	9180	10800	0.46	6307 N	6307 NR	SP 80
	100	25	2.7	3.28	2.46	54.2	30.38	7650	9000	0.95	6407 N	6407 NR	SP 100
40	68	15	1.9	2.49	1.7	17.45	11.37	10710	12600	0.19	6008 N	6008 NR	SP 68
	80	18	1.9	3.28	1.7	31.85	18.62	8415	9900	0.37	6208 N	6208 NR	SP 80
	90	23	2.7	3.28	2.46	41.46	23.52	8415	9900	0.63	6308 N	6308 NR	SP 90
	110	27	2.7	3.28	2.46	62.43	35.77	6885	8100	1.25	6408 N	6408 NR	SP 110
45	75	16	1.9	2.49	1.7	21.66	14.31	9180	10800	0.25	6009 N	6009 NR	SP 75
	85	19	1.9	3.28	1.7	34.4	21.17	8415	9900	0.41	6209 N	6209 NR	SP 85
	100	25	2.7	3.28	2.46	54.2	30.87	7268	8550	0.83	6309 N	6309 NR	SP 100
	120	29	3.1	4.06	2.82	74.58	44.1	6503	7650	1.55	6409 N	6409 NR	SP 120
50	80	16	1.9	2.49	1.7	22.45	15.68	8415	9900	0.26	6010 N	6010 NR	SP 80
	90	20	2.7	3.28	2.46	36.36	22.74	7650	9000	0.46	6210 N	6210 NR	SP 90
	110	27	2.7	3.28	2.46	63.7	37.24	6503	7650	1.05	6310 N	6310 NR	SP 110
	130	31	3.1		2.82	85.36	50.96	5738	6750	1.9	6410 N	6410 NR	SP 130
55	90	18	2.7	2.87	2.46	29.01	20.78	7650	9000	0.39	6011 N	6011 NR	SP 90
	100	21	2.7	3.28	2.46	45.28	28.42	6885	8100	0.61	6211 N	6211 NR	SP 100
	120	29	3.1	4.06	2.82	72.62	44.1	6120	7200	1.35	6311 N	6311 NR	SP 120
	140	33	3.1	4.9	2.82	97.51	60.76	5355	6300	2.3	6411 N	6411 NR	SP 140
60	95	18	2.7	2.87	2.46	30.09	22.74	7268	8550	0.42	6012 N	6012 NR	SP 95
	110	22	2.7	4.06	2.46	54.2	35.28	6120	7200	0.78	6212 N	6212 NR	SP 110
	130	31	3.1	4.9	2.82	83.5	50.96	5355	6300	1.7	6312 N	6312 NR	SP 130
	150	35	3.1	4.9	2.82	105.84	68.11	4820	5670	2.75	6412 N	6412 NR	SP 150

CUSCINETTI RADIALI AD UNA CORONA DI SFERE, CON SCANALATURA PER ANELLO DI ANCORAGGIO SEALED RADIAL DEEP GROOVE BALL BEARINGS, WITH SNAP RING



Dimensioni (mm) Dimension (mm)						Coefficiente di carico (KN) Load rating (KN)		Velocità limite (giri/min) Speed limit (Rpm)		Peso (Kg) Weight (Kg)	Sigla Designation		Anello di ancoraggio Snap ring
d (mm)	D (mm)	B (mm)	b (mm)	C (mm)	f (mm)	Dinamico Dynamic C	Statico Static C ₀	Lubrificazione Lubrication			Con scanalatura With snap ring groove	Con anello With locating snap ring	
								Grasso Grease	Olio Oil				
65	100	18	2.7	2.87	2.46	31.27	24.5	6885	8100	0.44	6013 N	6013 NR	SP 100
	120	23	3.1	4.06	2.82	57.33	39.69	5738	6750	0.99	6213 N	6213 NR	SP 120
	140	33	3.1	4.9	2.82	95.55	58.8	5126	6030	2.1	6313 N	6313 NR	SP 140
	160	37	3.1	4.9	2.82	116.62	76.44	4590	5400	3.3	6413 N	6413 NR	SP 160
70	110	20	2.7	2.87	2.46	38.91	30.38	6120	7200	0.6	6014 N	6014 NR	SP 110
	125	24	3.1	4.06	2.82	62.43	44.1	5355	6300	1.05	6214 N	6214 NR	SP 125
	150	35	3.1	4.9	2.82	108.78	66.64	4820	5670	2.5	6314 N	6314 NR	SP 150
75	115	20	2.7	2.87	2.46	40.77	32.83	5738	6750	0.64	6015 N	6015 NR	SP 115
	130	25	3.1	4.06	2.82	67.53	48.02	5126	6030	1.2	6215 N	6215 NR	SP 130
	160	37	3.1	4.9	2.82	116.62	74.97	4284	5040	3	6315 N	6315 NR	SP 160
80	125	22	3.1	2.87	2.82	48.42	39.2	5355	6300	0.85	6016 N	6016 NR	SP 125
	140	26	3.1	4.9	2.82	71.35	53.9	4590	5400	1.4	6216 N	6216 NR	SP 140
85	130	22	3.1	2.87	2.82	50.96	42.14	5126	6030	0.89	6017 N	6017 NR	SP 130
	150	28	3.1	4.9	2.82	85.36	62.72	4284	5040	1.8	6217 N	6217 NR	SP 150
90	140	24	3.1	3.71	2.82	59.29	49	4820	5670	1.15	6018 N	6018 NR	SP 140
	160	30	3.1	4.9	2.82	98.98	72.03	4055	4770	2.15	6218 N	6218 NR	SP 160
95	170	32	3.1	5.69	3.1	111.72	79.87	3825	4500	2.6	6219 N	6219 NR	SP 170
100	150	24	2.82	3.71	2.82	62.43	52.92	4284	5040	1.25	6020 N	6020 NR	SP 150
	180	34	3.1	5.69	3.1	124.46	91.14	3672	4320	3.15	6220 N	6220 NR	SP 180
105	160	26	2.82	3.71	2.82	74.58	64.19	4055	4770	1.6	6021 N	6021 NR	SP 160
110	170	28	3.1	3.71	3.1	83.5	72.03	3825	4500	1.95	6022 N	6022 NR	SP 170
120	180	28	3.1	3.71	3.1	86.64	78.4	3672	4320	2.05	6024 N	6024 NR	SP 180

CUSCINETTI RADIALI AD UNA CORONA DI SFERE, SCHERMATI CON ANELLO DI ANCORAGGIO RADIAL DEEP GROOVE BALL BEARINGS, SEALED WITH SNAP RING



Dimensioni (mm) Dimension (mm)			Coefficiente di carico (KN) Load rating (KN)		Velocità limite* Speed limit*	Peso (Kg) Weight (Kg)	Sigla Designation		Anello di ancoraggio Snap ring
d (mm)	D (mm)	B (mm)	Dinamico Dynamic C	Statico Static C ₀			Aperto con schermo su Open Shielded		
					Un lato One side shield	Entrambi i lati Two side shield			
10	30	9	5.3	2.32	32300	0.032	6200-ZNR	6200-ZZNR	SP 30
12	32	10	7.14	3.04	30400	0.037	6201-ZNR	6201-ZZNR	SP 32
15	35	11	7.9	3.68	26600	0.045	6202-ZNR	6202-ZZNR	SP 35
17	40	12	9.76	4.66	22800	0.065	6203-ZNR	6203-ZZNR	SP 40
	47	14	14.02	6.42	20900	0.12	6303-ZNR	6303-ZZNR	SP 47
20	42	12	9.76	4.9	22800	0.069	6004-ZNR	6004-ZZNR	SP 42
	47	14	13.23	6.42	19000	0.11	6204-ZNR	6204-ZZNR	SP 47
	52	15	16.47	7.65	18050	0.14	6304-ZNR	6304-ZZNR	SP 52
25	47	12	11.67	6.42	19000	0.08	6005-ZNR	6005-ZZNR	SP 47
	52	15	14.51	7.65	17100	0.13	6205-ZNR	6205-ZZNR	SP 52
	62	17	22.94	11.37	15200	0.23	6305-ZNR	6305-ZZNR	SP 62
30	62	16	19.9	10.98	14250	0.2	6206-ZNR	6206-ZZNR	SP 62
	72	19	29.01	15.68	12350	0.35	6306-ZNR	6306-ZZNR	SP 72
35	72	17	26.46	15	12350	0.29	6207-ZNR	6207-ZZNR	SP 72
	80	21	34.4	18.62	11400	0.46	6307-ZNR	6307-ZZNR	SP 80
40	80	18	31.85	18.62	10450	0.37	6208-ZNR	6208-ZZNR	SP 80
	90	23	41.46	23.52	10450	0.63	6308-ZNR	6308-ZZNR	SP 90
45	85	19	34.4	21.17	10450	0.41	6209-ZNR	6209-ZZNR	SP 85
	100	25	54.2	30.87	9025	0.83	6309-ZNR	6309-ZZNR	SP 100
50	90	20	36.36	22.74	9500	0.46	6210-ZNR	6210-ZZNR	SP 90
	110	27	63.7	37.24	8075	1.05	6310-ZNR	6310-ZZNR	SP 110
55	100	21	45.28	28.42	8550	0.61	6211-ZNR	6211-ZZNR	SP 100
	120	29	72.62	44.1	7600	1.35	6311-ZNR	6311-ZZNR	SP 120
60	110	22	54.2	35.28	7600	0.78	6212-ZNR	6212-ZZNR	SP 110
	130	31	83.5	50.96	6650	1.7	6312-ZNR	6312-ZZNR	SP 130
65	120	23	57.33	39.69	7125	0.99	6213-ZNR	6213-ZZNR	SP 120
	140	33	95.55	58.8	6365	2.1	6313-ZNR	6313-ZZNR	SP 140
70	125	24	62.43	44.1	6650	1.05	6214-ZNR	6214-ZZNR	SP 125
	150	35	108.78	66.64	5985	2.5	6314-ZNR	6314-ZZNR	SP 150

* Per i cuscinetti schermati solo da un lato sono valide le velocità limite dei cuscinetti aperti
* For one side shield bearings speed limit, use the same value of open bearings