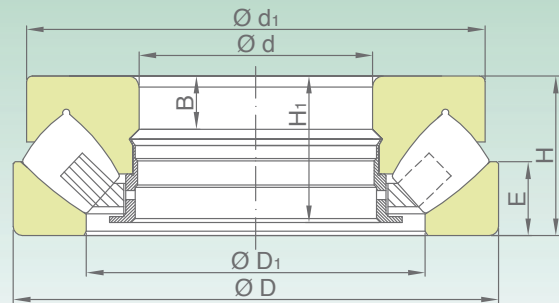


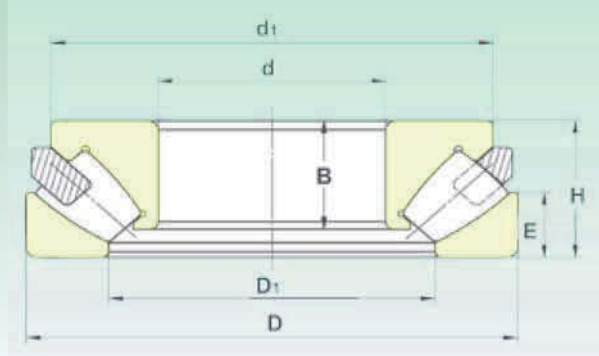
CUSCINETTI ASSIALI ORIENTABILI A RULLI SELF-ALIGNING THRUST ROLLER BEARINGS



struttura fino a foro \varnothing 100
design up to bore \varnothing 100

Dimensioni (mm) Dimension (mm)								Coefficiente di carico (KN) Load rating (KN)		Velocità limite (giri/min) Speed limit (Rpm)		Peso (Kg) Weight (Kg)	Sigla Designation
d (mm)	D (mm)	H (mm)	D1 (mm)	B (mm)	H1 (mm)	E (mm)	d1 (mm)	Dinamico Dynamic C	Statico Static C ₀	Lubrificazione Lubrication			
										Grasso Grease	Olivo Oil		
60	130	42	88	14.5	39	20	118	280	815	3825	2400	2.6	29412 M
65	140	45	96.5	16	42.1	21	128	330	965	3672	2200	3.3	29413 M
70	150	48	102	17	44.1	23	137	360	1060	3290	2000	4.0	29414 M
75	160	51	109	18	48.4	24	146	415	1250	3060	2000	4.87	29415 M
80	170	54	116	19	49.5	26	155	450	1370	2907	1900	5.8	29416 M
85	180	58	125.2	20	55.3	28	164	510	1560	2754	1800	6.90	29417 M
90	155	39	117	13	37.1	19	148.50	392	1058	3060	3600	2.85	29318 M
	190	60	130	21	55.2	29	174	570	1760	2601	1700	8.10	29418 M
100	170	42	127.5	34		20.6	158.9	456	1264	2754	3240	3.8	29320 M
	210	67	142	54		31.5	189	960	2450	2295	2700	10.6	29420 M
110	190	48	142	37.5		23	176	598	1695	2448	2880	5.6	29322 M
	230	73	155.5	58		34.4	208	1156	2940	2142	2520	16.5	29422 M
120	210	54	156	42		25.9	193.5	750	2078	2142	2520	7.45	29324 M
	250	78	172	62.4		38	220	1343	3381	1989	2340	17	29424 M
130	225	58	168	44		27.8	206.7	848	2450	1989	2340	9.3	29326 M
	270	85	185	63		41	248	1529	3969	1836	2160	22	29426 M
140	240	60	183	46		28	221	960	2793	1989	2340	10.7	29328 M
	280	85	197.5	64		42	252	1597	4214	1836	2160	24.6	29428 M
150	215	39	176	24		20.5	200.4	400	1568	2142	2520	4.3	29230 M
	250	60	190	47		29	228	980	2793	1836	2160	11.2	29330 M
	300	90	214	70		44	275	1823	4998	1683	1980	38.1	29430 M
160	270	67	205	53		31.7	249.6	1156	3381	1683	1980	14.5	29332 M
	320	95	220.5	73		46.4	290	2038	5488	1530	1800	34.5	29432 M
170	280	67	216	49.6		31.7	260.3	1176	3479	1683	1980	16	29334 M
	340	103	234	80		48.8	310	2313	6419	1454	1710	44	29434 M
180	250	42	208	31.8		21.8	237	485	1999	1989	2340	5.88	29236 M
	300	73	229	56		34.4	275	1401	4214	1530	1800	19.6	29336 M
	360	109	249.5	85		51.8	326	2548	7203	1377	1620	63.1	29436 M
190	320	78	240.5	59.5		38.6	298.3	1597	4655	1454	1710	24.5	29338 M
	380	115	263	89.5		54.2	345	2793	7840	1301	1530	60.8	29438 M
200	280	48	233.5	35.3		24.3	266	643	2597	1683	1980	8.9	29240 M
	340	85	259	64		39.1	314	1823	5390	1301	1530	30.3	29340 M
	400	122	278	95		57.5	363	3136	8820	1224	1440	69	29440 M
220	300	48	253	36.5		24.3	285	676	2940	1683	1980	9.45	29244 M
	360	85	277.5	64		40.7	336	1960	6174	1301	1530	33	29344 M
	420	122	298.5	95		57	383.8	3283	9457	1148	1350	73.9	29444 M

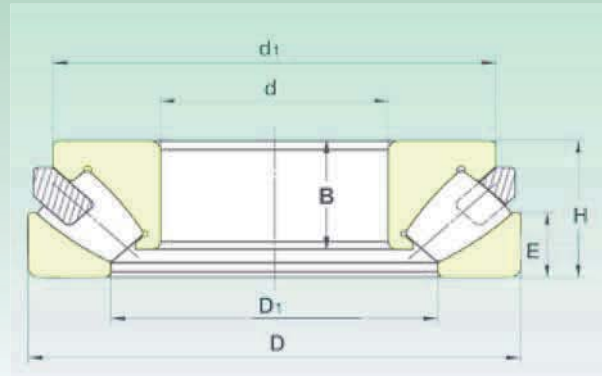
CUSCINETTI ASSIALI ORIENTABILI A RULLI SELF-ALIGNING THRUST ROLLER BEARINGS



struttura da foro $\geq \varnothing 100$
design from bore $\geq \varnothing 100$

Dimensioni (mm) Dimension (mm)							Coefficiente di carico (KN) Load rating (KN)		Velocità limite (giri/min) Speed limit (Rpm)		Peso (Kg) Weight (Kg)	Sigla Designation
d (mm)	D (mm)	H (mm)	D1 (mm)	B (mm)	E (mm)	d1 (mm)	Dinamico Dynamic C	Statico Static C ₀	Lubrificazione Lubrication			
									Grasso Grease	Olio Oil		
240	340	60	281.5	46.4	29.6	324	783	3381	1377	1620	16.8	29248 M
	380	85	298.5	63	41.7	360	1999	6419	1224	1440	36	29348 M
	440	122	318.5	92.5	59.4	399	3332	9996	1148	1350	78	29448 M
260	360	60	302	46.2	29.8	343	801	3577	1301	1530	18	29252 M
	420	95	327.5	70	46	392.3	2499	8134	1071	1260	49.3	29352 M
	480	132	342	99	65	441	3969	12642	995	1170	102	29452 M
280	380	60	322.5	46.2	29.5	364	846	3920	1301	1530	21.9	29256 M
	440	95	346	70	46.3	411	2499	8477	1071	1260	50.3	29356 M
	520	145	373.5	109.5	69	472	4802	14994	918	1080	131	29456 M
300	420	73	350.5	53	35.8	398.9	1049	4704	1071	1260	29.3	29260 M
	480	109	371.5	83	53	448	3038	10388	918	1080	72.5	29360 M
	540	145	395	109.9	68.3	494.4	4224	16268	918	1080	138	29460 M
320	440	73	369.5	54	36	420	1088	4998	1071	1260	31.6	29264 M
	500	109	393	81.5	53	468	3283	10976	918	1080	75.4	29364 M
	580	155	420	116	75	534	4851	18620	842	990	174	29464 M
340	460	73	390	54	36	440	1107	5292	995	1170	33	29268 M
	540	122	428	40.6	117	59.5	2656	10780	842	990	105	29368 M
	620	170	449.5	128	80.1	560	5635	21952	765	900	211	29468 M
360	500	85	423	25	81	44	1431	6664	918	1080	52	29272 M
	560	122	442.5	90	58.1	523.3	2705	11368	842	990	111	29372 M
	640	170	470	126	81	588	5243	20776	727	855	224	29472 M
380	520	85	441	27	81	42	1548	7497	842	990	53	29276 M
	600	132	473	99.5	62.2	565	3273	13720	765	900	135	29376 M
	670	175	494	67	168	87.5	5753	23520	689	810	260	29476 M
400	540	85	460	62.5	42	514	1578	7840	842	990	61	29280 M
	620	132	489	100	64.7	582	3381	14308	727	855	154	29380 M
	710	185	529.5	138	86	652	6429	25970	650	765	298	29480 M
420	580	95	485	71	49.2	552.1	1950	9604	765	900	76	29284 M
	650	140	520	49	135	67.5	3665	15680	689	810	170	29384 M
	730	185	542.5	140	89.9	668	6595	26950	650	765	310	29484 M
440	600	95	508	30	91	46.5	2029	10192	765	900	78	29288 M
	680	145	540	49	140	70.5	4400	18914	650	765	180	29388 M
	780	206	583	150	97	716	7664	31360	574	675	407	29488 M
460	620	95	530	30	91	46	2029	10388	727	855	81	29292 M
	710	150	567	50	144	72.5	4224	18620	612	720	215	29392 M
	800	206	596	77	199	101.5	7830	32830	574	675	425	29492 M
480	650	103	556	33	99	53.5	2303	11564	689	810	98	29296 M
	730	150	582	112	74	684	4283	19208	612	720	212	29396 M
	850	224	625	88	216	108	9359	38220	513	603	550	29496 M

CUSCINETTI ASSIALI ORIENTABILI A RULLI SELF-ALIGNING THRUST ROLLER BEARINGS



struttura da foro $\geq \varnothing 100$
design from bore $\geq \varnothing 100$

Dimensioni (mm) Dimension (mm)							Coefficiente di carico (kN) Load rating (kN)		Velocità limite (giri/min) Speed limit (Rpm)		Peso (Kg) Weight (Kg)	Sigla Designation
d (mm)	D (mm)	H (mm)	D1 (mm)	B (mm)	E (mm)	d1 (mm)	Dinamico Dynamic C	Statico Static C ₀	Lubrificazione Lubrication			
									Grasso Grease	Olio Oil		
500	670	103	571.5	76	50.5	640.5	2342	12250	689	810	97.5	292/500 M
	750	150	611	50	144	74	4400	19992	612	720	235	293/500 M
	870	224	650	160	107	797	9183	39200	513	603	555	294/500 M
530	710	109	604	80	56	675	3048	14994	650	765	118	292/530 M
	800	160	648	53	154	76	5125	23128	574	675	270	293/530 M
	920	236	686	89	228	116	10290	43120	482	567	650	294/530 M
560	750	115	644	37	111	61	2930	15680	612	720	140	292/560 M
	980	250	727	99	241	122	11760	49980	428	504	810	294/560 M
600	800	122	687	90	58.9	770	3665	18228	536	630	161	292/600 M
	900	180	720	65	174	89	7379	33810	482	567	405	293/600 M
	1030	258	770.5	185	126	954.8	12838	54880	405	477	860	294/600 M
630	850	132	723	50	127	62	4675	23128	513	603	210	292/630 M
	950	190	761	68	183	92	8281	37240	459	540	485	293/630 M
	1090	280	815	107	270	137	14112	60760	383	450	1040	294/630 M
670	900	140	773	45	135	73	4116	22344	482	567	255	292/670 M
	1150	290	872	205	138	1054	15092	66640	344	405	1225	294/670 M
710	1060	212	855	74	205	103	9751	44590	383	450	660	293/710 M
	1220	308	917	117	298	149	17248	74970	329	387	1500	294/710 M
750	1000	150	858	50	144	74	5978	30380	428	504	325	292/750 M
	1120	224	910	76	216	109	9183	44100	367	432	770	293/750 M
	1280	315	964	121	305	153	18326	83300	306	360	1650	294/750 M
800	1060	155	911	52	149	77	6429	33810	405	477	380	292/800 M
	1180	230	965	77	222	111	9751	48020	344	405	865	293/800 M
	1360	335	1034	123	324	165	19796	91140	275	324	2025	294/800 M
850	1120	160	967	47	154	82	6595	35280	383	450	425	292/850 M
	1440	354	1077	142	342	172	23422	105840	260	306	2390	294/850 M
900	1520	372	1137	147	360	186	26166	119560	230	270	2650	294/900 M
950	1250	180	1087	58	174	88	8114	44590	329	387	600	292/950 M
	1600	390	1209	153	377	191	27636	129360	214	252	3065	294/950 M
1000	1670	402	1270	155	389	190	30478	137200	199	234	3380	294/1000 M
1060	1400	206	1211	66	199	100	10290	57330	275	324	860	292/1060 M
	1770	426	1349	192	412	207	32732	152880	184	216	4280	294/1060 M
1180	1520	206	1331	83	199	101	10682	62720	260	306	950	292/1180 M
1250	1800	330	1474	148	319	161	24304	126420	184	216	2770	293/1250 M
1600	2280	408	1885	166	395	195	36064	196000	122	144	5375	293/1600 M