

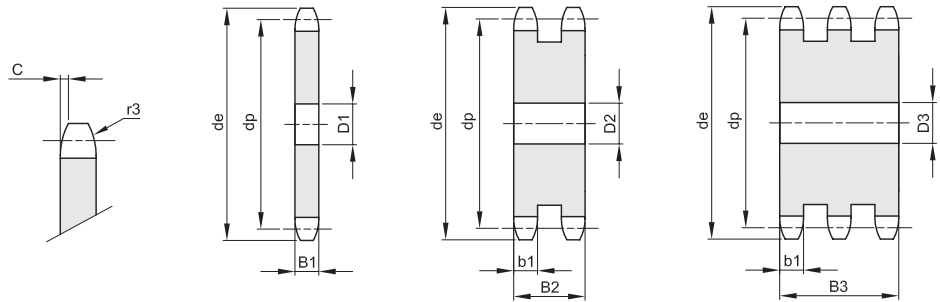
CORONE PER CATENE A RULLI - DIN 8187 - ISO 606

PLATE WHEELS FOR ROLLER CHAINS - DIN 8187 - ISO 606

1"1/2 x 1"

38,1 x 25,4 mm
Rullo 25,4 mm
24B - 1 - 2 - 3

B1	B2	B3	b1	C	r3
24,1	72	120,3	23,6	4	38



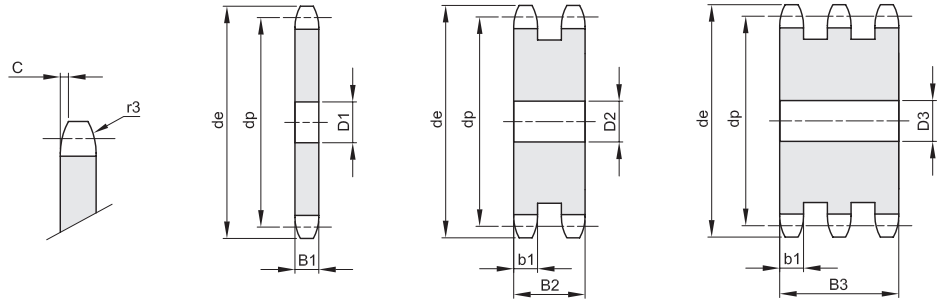
Z	de	dp	semplici		doppie		triple		Z	de	dp	semplici		doppie		triple	
			D1	Kg.	D2	Kg.	D3	Kg.				D1	Kg.	D2	Kg.	D3	Kg.
8	113,0	99,55	20	1,00	25	2,31	25	3,67	60	745,0	727,97	30	75,82	40	220,55	40	366,97
9	125,0	111,40	20	1,32	25	3,18	25	5,10	62	769,0	752,24	40	80,95				
10	137,0	123,29	20	1,69	25	4,19	25	6,75	65	805,5	788,59	40	89,14	40	260,19		
11	149,0	135,21	25	2,07	25	5,33	30	8,42	70	866,0	849,21	40	103,77				
12	161,0	147,22	25	2,53	25	6,59	30	10,50	76	939,0	921,98	40	122,54	40	358,88	40	597,76
13	173,0	159,18	25	3,03	25	7,99	30	12,81	80	987,5	970,44	40	135,99				
14	185,0	171,22	25	3,57	25	9,52	30	15,33	85	1048,0	1031,10	40	153,79				
15	197,0	183,26	25	4,16	25	11,18	30	18,08	95	1169,0	1152,33	40	192,67	40	583,00		
16	209,0	195,30	25	4,79	30	12,85	30	21,04									
17	221,0	207,34	25	5,47	30	14,77	30	24,22									
18	233,0	219,42	25	6,19	30	16,82	30	27,61									
19	245,5	231,49	25	6,95	30	19,00	30	31,23									
20	257,5	243,57	25	7,76	30	21,31	30	35,06									
21	270,5	255,65	30	8,57	30	23,75	40	38,60									
22	282,5	267,73	30	9,46	30	26,33	40	42,87									
23	294,5	279,80	30	10,40	30	29,03	40	47,36									
24	307,0	291,88	30	11,38	30	31,86	40	52,07									
25	319,0	304,00	30	12,41	30	34,83	40	56,99									
26	331,0	316,08	30	13,47	30	37,93	40	62,14									
27	343,0	328,19	30	14,59	30	41,15	40	67,50									
28	355,0	340,27	30	15,74	30	44,51	40	73,08									
29	367,5	352,38	30	16,94	30	48,00											
30	379,5	364,50	30	18,91	30	51,61	40	84,90									
31	391,5	376,62	30	19,47	40	55,05											
32	403,5	388,69	30	20,80	40	58,93	40	97,59									
33	415,5	400,81	30	22,18	40	62,94											
34	428,0	412,93	30	23,60	40	67,08											
35	440,0	425,04	30	25,06	40	71,35	40	118,26									
36	452,0	437,16	30	26,60	40	75,75											
37	464,0	449,27	30	28,12	40	80,28											
38	476,5	461,39	30	29,71	40	84,95	40	140,90									
40	501,5	485,62	30	33,03	40	94,66	40	158,08									
41	513,5	497,74	30	34,75													
42	525,5	509,85	30	36,52	40	104,90											
45	562,0	546,20	30	42,08	40	121,24	40	201,37									
46	574,0	558,32	30	44,03													
48	598,5	582,55	30	48,04	40	138,75	40	230,56									
50	622,5	606,78	30	52,24	40	151,08	40	251,11									
52	647,0	631,01	30	56,60													
54	671,0	655,25	30	61,14													
55	683,5	667,40	30	63,48													
56	695,5	679,50	30	65,86													
57	707,5	691,63	30	68,28	40	198,34	40	329,92									

CORONE PER CATENE A RULLI - DIN 8187 - ISO 606

PLATE WHEELS FOR ROLLER CHAINS - DIN 8187 - ISO 606

2" x 1"1/4
50,8 x 30,99 mm
Rullo 29,21 mm
32B - 1 - 2 - 3

B1	B2	B3	b1	C	r3
29,4	87,4	146	28,8	6	51



Z	de	dp	semplici		doppie		triple	
			D1	Kg.	D2	Kg.	D3	Kg.
8	152,0	132,74	25	2,27	25	5,53	25	8,83
9	168,0	148,54	25	2,99	25	7,46	25	11,99
10	184,0	164,39	25	3,81	25	9,68	25	15,63
11	200,0	180,31	30	4,67	35	11,86	35	19,20
12	216,0	196,29	30	5,67	35	14,64	35	23,78
13	235,0	212,29	30	6,77	35	17,70	35	28,83
14	251,0	228,29	30	7,97	35	21,05	35	34,35
15	267,0	244,30	30	9,26	35	24,68	35	40,34
16	283,0	260,40	30	10,64	40	28,38	40	46,47
17	299,0	276,46	30	12,12	40	32,57	40	53,40
18	315,0	292,55	30	13,69	40	37,05	40	60,80
19	331,0	308,66	30	15,36	40	41,80	40	68,68
20	347,0	324,71	40	16,99	40	46,84	40	77,02
21	363,0	340,82	40	18,85	40	52,15	40	85,84
22	379,0	356,98	40	20,80	40	57,75		
23	396,0	373,08	40	22,85	40	63,63	40	104,88
24	412,0	389,18	40	24,99	40	69,80		
25	428,0	405,33	40	27,23	40	76,24	40	125,81
26	444,0	421,44	40	29,56	40	82,97		
28	476,0	453,69	40	34,51	40	97,27		
30	508,0	486,00	40	39,84	40	112,70	40	186,37
32	541,0	518,27	40	45,54				
35	589,0	566,71	40	54,81	40	156,19	40	258,69
38	638,0	615,16	40	64,93	40	185,67	40	307,73
40	670,0	647,47	40	72,16	40	206,73		
45	751,0	728,24	40	91,87	40	265,32	40	438,64
50	832,0	809,04	40	113,96	40	328,95	40	549,27
57	945,0	922,16	40	148,86	40	431,27	40	716,72
60	993,0	970,65	40	165,24				
76	1252,0	1229,27	40	267,00	40	757,78	40	1295,64