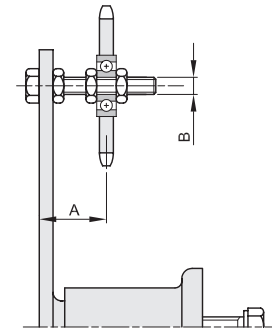


TENDICATENA UNIVERSALI TIPO "TEKS" UNIVERSAL CHAIN TENSIONERS TYPE "TEKS"

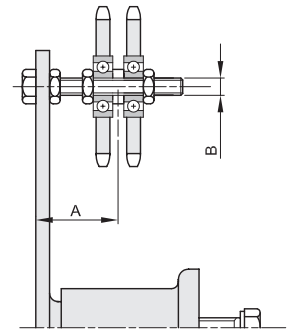
SEMPLICI

| codice | catena | ISO | denti | A | B | Kg. |
|--------|---------------|------|-------|----------|-----|------|
| TEKS 3 | 3/8" x 7/32" | 06B1 | 15 | 20 ÷ 50 | M10 | 0,60 |
| TEKS 3 | 1/2" x 5/16" | 08B1 | 15 | 20 ÷ 50 | M10 | 0,65 |
| TEKS 5 | 5/8" x 3/8" | 10B1 | 15 | 26 ÷ 67 | M12 | 2,32 |
| TEKS 5 | 3/4" x 7/16" | 12B1 | 15 | 26 ÷ 67 | M12 | 2,55 |
| TEKS 6 | 1" x 17,02 mm | 16B1 | 13 | 37 ÷ 102 | M20 | 5,00 |
| TEKS 7 | 1"1/4 x 3/4" | 20B1 | 13 | 39 ÷ 122 | M20 | 8,55 |
| TEKS 7 | 1"1/2 x 1" | 24B1 | 11 | 39 ÷ 142 | M20 | 8,90 |



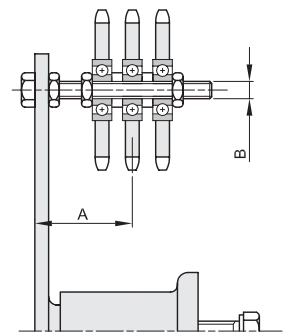
DOPPI

| codice | catena | ISO | denti | A | B | Kg. |
|--------|---------------|------|-------|----------|-----|-------|
| TEKS 3 | 3/8" x 7/32" | 06B2 | 15 | 25 ÷ 44 | M10 | 0,65 |
| TEKS 4 | 1/2" x 5/16" | 08B2 | 15 | 27 ÷ 43 | M10 | 1,15 |
| TEKS 5 | 5/8" x 3/8" | 10B2 | 15 | 34 ÷ 59 | M12 | 2,55 |
| TEKS 5 | 3/4" x 7/16" | 12B2 | 15 | 36 ÷ 57 | M12 | 3,00 |
| TEKS 6 | 1" x 17,02 mm | 16B2 | 13 | 52 ÷ 86 | M20 | 5,80 |
| TEKS 7 | 1"1/4 x 3/4" | 20B2 | 13 | 57 ÷ 104 | M20 | 10,10 |
| TEKS 7 | 1"1/2 x 1" | 24B2 | 11 | 63 ÷ 118 | M20 | 10,75 |



TRIPLI

| codice | catena | ISO | denti | A | B | Kg. |
|--------|---------------|------|-------|---------|-----|-------|
| TEKS 4 | 3/8" x 7/32" | 06B3 | 15 | 31 ÷ 39 | M10 | 0,95 |
| TEKS 5 | 1/2" x 5/16" | 08B3 | 15 | 40 ÷ 53 | M12 | 2,45 |
| TEKS 6 | 5/8" x 3/8" | 10B3 | 15 | 53 ÷ 85 | M20 | 4,95 |
| TEKS 6 | 3/4" x 7/16" | 12B3 | 15 | 56 ÷ 83 | M20 | 5,20 |
| TEKS 7 | 1" x 17,02 mm | 16B3 | 13 | 70 ÷ 70 | M20 | 9,40 |
| TEKS 7 | 1"1/4 x 3/4" | 20B3 | 13 | 75 ÷ 86 | M20 | 11,70 |
| TEKS 7 | 1"1/2 x 1" | 24B3 | 11 | 87 ÷ 94 | M20 | 12,70 |

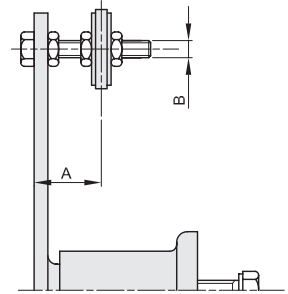


TENDICATENA UNIVERSALI TIPO "TECRS" UNIVERSAL CHAIN TENSIONERS TYPE "TECRS"

RESATEC
CERTIFICATA ISO 9001

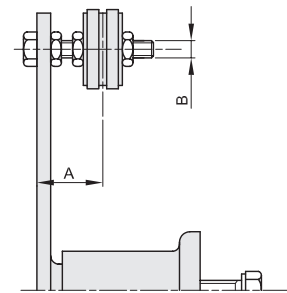
SEMPLICI

| codice | catena | ISO | A | B | Kg. |
|----------------|--------------|------|---------|-----|------|
| TECRS 2 | 3/8" x 7/32" | 06B1 | 18 ÷ 35 | M 8 | 0,30 |
| TECRS 3 | 1/2" x 5/16" | 08B1 | 23 ÷ 45 | M10 | 0,56 |
| TECRS 4 | 5/8" x 3/8" | 10B1 | 24 ÷ 44 | M10 | 0,82 |
| TECRS 5 | 3/4" x 7/16" | 12B1 | 30 ÷ 60 | M12 | 2,17 |



DOPPI

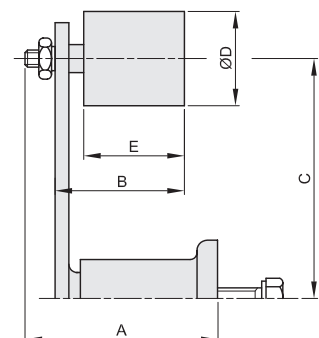
| codice | catena | ISO | A | B | Kg. |
|----------------|--------------|------|---------|-----|------|
| TECRS 2 | 3/8" x 7/32" | 06B2 | 25 ÷ 30 | M 8 | 0,32 |
| TECRS 3 | 1/2" x 5/16" | 08B2 | 30 ÷ 34 | M10 | 0,60 |
| TECRS 4 | 5/8" x 3/8" | 10B2 | 34 ÷ 46 | M10 | 0,90 |
| TECRS 5 | 3/4" x 7/16" | 12B2 | 40 ÷ 52 | M12 | 2,31 |



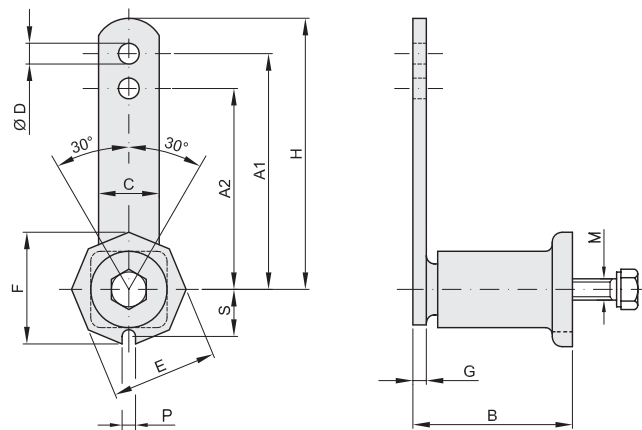
TENDICINGHIA UNIVERSALI TIPO "TERE" UNIVERSAL BELT TENSIONERS TYPE "TERE"

RESATEC
CERTIFICATA ISO 9001

| codice | A | B | C | Ø D | E | Kg. |
|---------------|-----|-----|-----|-----|-----|------|
| TERE 2 | 61 | 43 | 80 | 30 | 35 | 0,32 |
| TERE 3 | 70 | 56 | 100 | 40 | 45 | 0,62 |
| TERE 4 | 88 | 57 | 100 | 40 | 45 | 0,85 |
| TERE 5 | 122 | 76 | 130 | 60 | 60 | 2,34 |
| TERE 6 | 158 | 109 | 175 | 80 | 90 | 4,90 |
| TERE 7 | 211 | 154 | 220 | 80 | 135 | 8,20 |

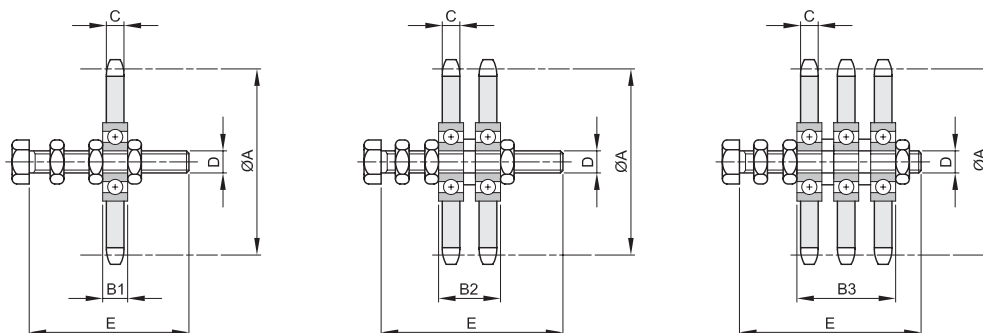


ELEMENTI TENDITORI UNIVERSALI TIPO "TE" UNIVERSAL TENSIONERS TYPE "TE"



| codice | A1 | A2 | B | C | Ø D | E | F | G | H | Forza max in N Torque in N ◁ 0 - 32° A1 A2 | | M | P | S | Kg. |
|-------------|-----|-----|-----|----|------|-----|-----|----|-------|--|----------|-----|------|----|------|
| TE 2 | 80 | 60 | 52 | 20 | 8,5 | 35 | 38 | 5 | 90 | 0 - 90 | 0 - 110 | M 6 | 8 | 16 | 0,25 |
| TE 3 | 100 | 80 | 63 | 25 | 10,5 | 46 | 48 | 5 | 112,5 | 0 - 140 | 0 - 170 | M 8 | 8,5 | 21 | 0,45 |
| TE 4 | 100 | 80 | 78 | 30 | 10,5 | 56 | 59 | 6 | 115 | 0 - 320 | 0 - 430 | M10 | 8,5 | 25 | 0,68 |
| TE 5 | 130 | 100 | 108 | 50 | 12,5 | 72 | 76 | 8 | 155 | 0 - 820 | 0 - 1050 | M12 | 10,5 | 32 | 1,95 |
| TE 6 | 175 | 140 | 140 | 60 | 20,5 | 93 | 97 | 10 | 205 | 0 - 1500 | 0 - 1880 | M16 | 12,5 | 41 | 3,70 |
| TE 7 | 220 | 175 | 198 | 70 | 20,5 | 106 | 112 | 12 | 255 | 0 - 2500 | 0 - 3200 | M20 | 12,5 | 51 | 6,50 |

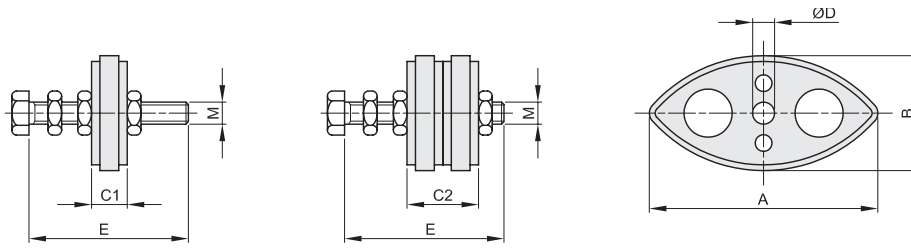
PIGNONI TENDICATENA TIPO "KS" - DIN 8187 SPROCKETS WHEELS TYPE "KS" - DIN 8187



| codice | ISO | denti | Ø A | B1 | B2 | B3 | C | D | E | semplice Kg. | doppia Kg. | trippla Kg. |
|-------------------------|-----------|-------|--------|----|------|-------|------|-----|-----|-----------------|---------------|----------------|
| KS 3/8" x 7/32" | 06B-1-2-3 | 15 | 45,81 | 9 | 19,2 | 29,4 | 5,7 | M10 | 60 | 0,15 | 0,20 | 0,25 |
| KS 1/2" x 5/16" | 08B-1-2 | 15 | 61,08 | 9 | 22,9 | | 7,2 | M10 | 60 | 0,20 | 0,35 | |
| KS 1/2" x 5/16" | 08B-1-2-3 | 15 | 61,08 | 12 | 26,0 | 40,0 | 7,2 | M12 | 80 | 0,23 | 0,45 | 0,50 |
| KS 5/8" x 3/8" | 10B-1-2-3 | 15 | 76,36 | 12 | 28,6 | 45,2 | 9,1 | M12 | 80 | 0,37 | 0,60 | 0,95 |
| KS 5/8" x 3/8" | 10B-1-2-3 | 15 | 76,36 | 15 | 31,5 | 48,2 | 9,1 | M20 | 120 | 0,70 | 1,00 | 1,25 |
| KS 3/4" x 7/16" | 12B-1-2 | 15 | 91,63 | 12 | 31,5 | | 11,5 | M12 | 80 | 0,60 | 1,05 | |
| KS 3/4" x 7/16" | 12B-1-2-3 | 15 | 91,63 | 15 | 34,5 | 54,0 | 11,5 | M20 | 120 | 0,90 | 1,35 | 1,50 |
| KS 1" x 17,02 mm | 16B-1-2-3 | 13 | 106,14 | 15 | 46,9 | 78,8 | 16,2 | M20 | 120 | 1,30 | 2,10 | 2,90 |
| KS 1 1/4" x 3/4" | 20B-1-2-3 | 13 | 132,67 | 15 | 51,5 | 88,0 | 18,5 | M20 | 140 | 2,05 | 3,60 | 5,20 |
| KS 1 1/2" x 1" | 24B-1-2-3 | 11 | 135,23 | 15 | 63,4 | 111,8 | 24,1 | M20 | 160 | 2,40 | 4,25 | 6,20 |

PATTINI TENDICATENA TIPO "CRS" CHAINRIDER SET TYPE "CRS"

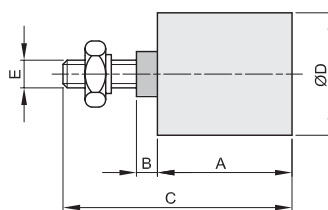
RESATEC
CERTIFICATA ISO 9001



| codice | catena | ISO | A | B | C1 | C2 | Ø D | M | E | semplice Kg. | doppio Kg. |
|-----------------|--------------|-----|-----|----|------|------|-----|-----|----|-----------------|---------------|
| CRS 3/8" | 3/8" x 7/32" | 06B | 74 | 40 | 10,2 | 20,4 | 8 | M 8 | 45 | 0,05 | 0,07 |
| CRS 1/2" | 1/2" x 5/16" | 08B | 96 | 50 | 13,9 | 27,8 | 10 | M10 | 60 | 0,11 | 0,15 |
| CRS 5/8" | 5/8" x 3/8" | 10B | 125 | 55 | 16,5 | 33,0 | 10 | M10 | 60 | 0,14 | 0,22 |
| CRS 3/4" | 3/4" x 7/16" | 12B | 147 | 80 | 19,5 | 39,0 | 12 | M12 | 80 | 0,22 | 0,36 |

RULLI TENDICINGHIA TIPO "RE" ROLLERSET TYPE "RE"

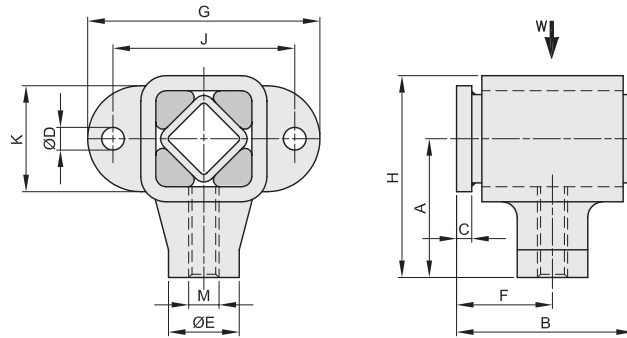
RESATEC
CERTIFICATA ISO 9001



| codice | A | B | C | Ø D | E | Kg. |
|-------------|-----|-----|-----|-----|-----|------|
| RE 2 | 35 | 3 | 51 | 30 | M 8 | 0,07 |
| RE 3 | 45 | 6 | 67 | 40 | M10 | 0,17 |
| RE 4 | 45 | 6 | 67 | 40 | M10 | 0,17 |
| RE 5 | 60 | 7,5 | 89 | 60 | M12 | 0,39 |
| RE 6 | 90 | 9 | 127 | 80 | M20 | 1,20 |
| RE 7 | 135 | 7 | 167 | 80 | M20 | 1,70 |

ELEMENTI OSCILLANTI TIPO "OM" OSCILLANTING MOUNTING TYPE "OM"

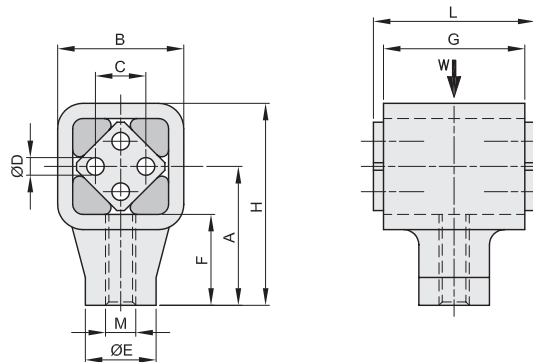
RESATEC
CERTIFICATA ISO 9001



| codice | A | B | C | Ø D | E | F | G | H | J | K | M | W carico max in N | Fr Freq. max in min ⁻¹ | Kg. |
|--------|-----|-----|----|-----|----|----|-----|-----|-----|----|-------|-------------------------|---|------|
| OM 4 R | 40 | 61 | 5 | 9 | 24 | 33 | 82 | 58 | 60 | 30 | M12 R | 190 | 1250 | 0,28 |
| OM 4 L | 40 | 61 | 5 | 9 | 24 | 33 | 82 | 58 | 60 | 30 | M12 L | 190 | 1250 | 0,28 |
| OM 5 R | 55 | 75 | 6 | 11 | 30 | 41 | 108 | 81 | 80 | 45 | M16 R | 380 | 780 | 0,58 |
| OM 5 L | 55 | 75 | 6 | 11 | 30 | 41 | 108 | 81 | 80 | 45 | M16 L | 380 | 780 | 0,58 |
| OM 6 R | 80 | 98 | 8 | 13 | 40 | 53 | 130 | 115 | 100 | 60 | M20 R | 780 | 760 | 1,45 |
| OM 6 L | 80 | 98 | 8 | 13 | 40 | 53 | 130 | 115 | 100 | 60 | M20 L | 780 | 760 | 1,45 |
| OM 7 R | 90 | 118 | 8 | 17 | 50 | 63 | 170 | 135 | 130 | 70 | M24 R | 1550 | 750 | 2,54 |
| OM 7 L | 90 | 118 | 8 | 17 | 50 | 63 | 170 | 135 | 130 | 70 | M24 L | 1550 | 750 | 2,54 |
| OM 8 R | 100 | 140 | 10 | 17 | 60 | 75 | 180 | 147 | 140 | 80 | M36 R | 2400 | 580 | 6,05 |
| OM 8 L | 100 | 140 | 10 | 17 | 60 | 75 | 180 | 147 | 140 | 80 | M36 L | 2400 | 580 | 6,05 |

TESTE DI BIELLA TIPO "DH" CRANKDRIVE UNIT TYPE "DH"

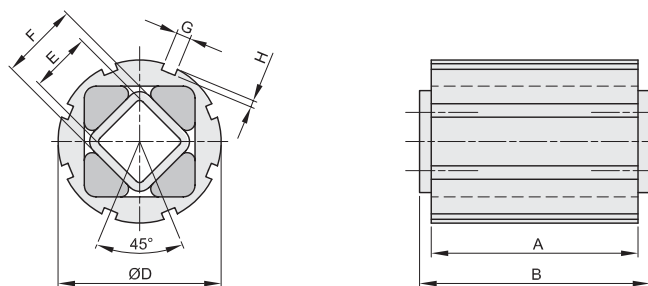
RESATEC
CERTIFICATA ISO 9001



| codice | A | B | C | Ø D | E | F | G | H | L | M | W forza accel. in N | ne Vel. di rotaz. in min ⁻¹ | Kg. |
|------------|-----|-----|----|--------|----|----|-----|-----|-----|-------|---------------------------|--|-------|
| DH 4-50 R | 40 | 36 | 12 | 6 | 24 | 25 | 50 | 58 | 55 | M12 R | 380 | 1250 | 0,20 |
| DH 4-50 L | 40 | 36 | 12 | 6 | 24 | 25 | 50 | 58 | 55 | M12 L | 380 | 1250 | 0,20 |
| DH 5-60 R | 55 | 52 | 20 | 8 | 30 | 35 | 60 | 81 | 65 | M16 R | 960 | 1200 | 0,52 |
| DH 5-60 L | 55 | 52 | 20 | 8 | 30 | 35 | 60 | 81 | 65 | M16 L | 960 | 1200 | 0,52 |
| DH 6-80 R | 80 | 72 | 25 | 10 | 40 | 52 | 80 | 115 | 90 | M20 R | 1900 | 780 | 1,48 |
| DH 6-80 L | 80 | 72 | 25 | 10 | 40 | 52 | 80 | 115 | 90 | M20 L | 1900 | 780 | 1,48 |
| DH 7-100 R | 90 | 90 | 35 | 12 | 50 | 55 | 100 | 135 | 110 | M24 R | 3400 | 750 | 2,65 |
| DH 7-100 L | 90 | 90 | 35 | 12 | 50 | 55 | 100 | 135 | 110 | M24 L | 3400 | 750 | 2,65 |
| DH 8-120 R | 100 | 94 | 40 | M12x30 | 60 | 64 | 120 | 147 | 130 | M36 R | 5800 | 580 | 6,30 |
| DH 8-120 L | 100 | 94 | 40 | M12x30 | 60 | 64 | 120 | 147 | 130 | M36 L | 5800 | 580 | 6,30 |
| DH 9-200 R | 120 | 120 | 45 | M16x25 | 80 | 75 | 200 | 180 | 210 | M42 R | 11500 | 330 | 17,70 |
| DH 9-200 L | 120 | 120 | 45 | M16x25 | 80 | 75 | 200 | 180 | 210 | M42 L | 11500 | 330 | 17,70 |
| DH 9-300 R | 120 | 120 | 45 | M16x25 | 80 | 75 | 300 | 180 | 310 | M42 R | 17500 | 300 | 26,50 |
| DH 9-300 L | 120 | 120 | 45 | M16x25 | 80 | 75 | 300 | 180 | 310 | M42 L | 17500 | 300 | 26,50 |

ELEMENTI ELASTICI TIPO "LTK-S"

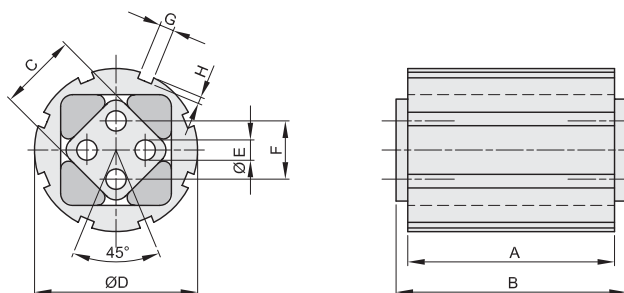
RUBBER SUSPENSION UNIT TYPE "LTK-S"



| codice | COPPIA M IN NM A 32° TORQUE M IN NM AT 32° | A | B | Ø D | E | F | G | H | Kg. |
|-------------|---|-----|-----|-----|----|----|---|-----|------|
| LTK-S 5-40 | 56 | 40 | 45 | 62 | 22 | 27 | 6 | 3 | 0,30 |
| LTK-S 5-60 | 85 | 60 | 65 | 62 | 22 | 27 | 6 | 3 | 0,40 |
| LTK-S 5-100 | 140 | 100 | 105 | 62 | 22 | 27 | 6 | 3 | 0,65 |
| LTK-S 6-60 | 160 | 60 | 70 | 80 | 30 | 38 | 7 | 3,5 | 0,70 |
| LTK-S 6-80 | 215 | 80 | 90 | 80 | 30 | 38 | 7 | 3,5 | 0,90 |
| LTK-S 6-120 | 320 | 120 | 130 | 80 | 30 | 38 | 7 | 3,5 | 1,30 |

ELEMENTI ELASTICI TIPO "LTK-A"

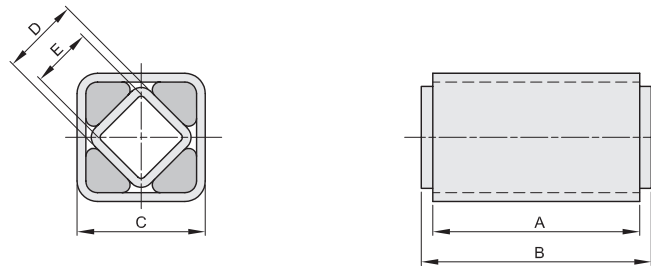
RUBBER SUSPENSION UNIT TYPE "LTK-A"



| codice | COPPIA M IN NM A 32° TORQUE M IN NM AT 32° | A | B | C | Ø D | Ø E | F | G | H | Kg. |
|-------------|---|-----|-----|----|-----|-----|----|---|-----|------|
| LTK-A 5-40 | 56 | 40 | 45 | 27 | 62 | 8 | 20 | 6 | 3 | 0,25 |
| LTK-A 5-60 | 85 | 60 | 65 | 27 | 62 | 8 | 20 | 6 | 3 | 0,35 |
| LTK-A 5-100 | 140 | 100 | 105 | 27 | 62 | 8 | 20 | 6 | 3 | 0,60 |
| LTK-A 6-60 | 160 | 60 | 70 | 38 | 80 | 10 | 25 | 7 | 3,5 | 0,60 |
| LTK-A 6-80 | 215 | 80 | 90 | 38 | 80 | 10 | 25 | 7 | 3,5 | 0,80 |
| LTK-A 6-120 | 320 | 120 | 130 | 38 | 80 | 10 | 25 | 7 | 3,5 | 1,20 |

ELEMENTI ELASTICI TIPO "LTS"

RUBBER SUSPENSION UNIT TYPE "LTS"

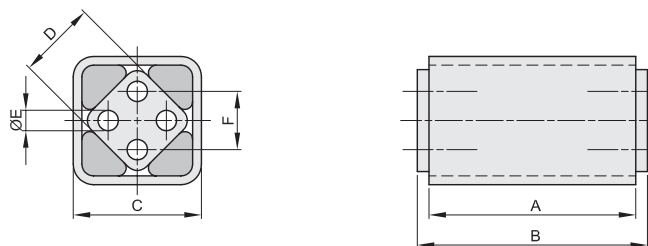


| codice | COPPIA M IN NM A 32° TORQUE M IN NM AT 32° | A | B | C | D | E | Kg. |
|-----------|---|-----|-----|----|----|----|------|
| LTS 3-25 | 8 | 25 | 30 | 27 | 15 | 11 | 0,08 |
| LTS 3-40 | 13 | 40 | 45 | 27 | 15 | 11 | 0,13 |
| LTS 3-60 | 19 | 60 | 65 | 27 | 15 | 11 | 0,19 |
| LTS 4-30 | 20 | 30 | 35 | 32 | 18 | 12 | 0,13 |
| LTS 4-50 | 34 | 50 | 55 | 32 | 18 | 12 | 0,22 |
| LTS 4-80 | 54 | 80 | 85 | 32 | 18 | 12 | 0,33 |
| LTS 5-40 | 56 | 40 | 45 | 45 | 27 | 22 | 0,27 |
| LTS 5-60 | 85 | 60 | 65 | 45 | 27 | 22 | 0,40 |
| LTS 5-100 | 140 | 100 | 105 | 45 | 27 | 22 | 0,66 |
| LTS 6-60 | 160 | 60 | 70 | 60 | 38 | 30 | 0,68 |
| LTS 6-80 | 215 | 80 | 90 | 60 | 38 | 30 | 0,90 |
| LTS 6-120 | 320 | 120 | 130 | 60 | 38 | 30 | 1,35 |
| LTS 7-80 | 315 | 80 | 90 | 72 | 45 | 35 | 1,20 |
| LTS 7-100 | 390 | 100 | 110 | 72 | 45 | 35 | 1,46 |
| LTS 7-150 | 580 | 150 | 160 | 72 | 45 | 35 | 2,16 |
| LTS 8-120 | 720 | 120 | 130 | 80 | 50 | 40 | 2,20 |
| LTS 8-200 | 1300 | 200 | 210 | 80 | 50 | 40 | 3,50 |
| LTS 8-300 | 2000 | 300 | 310 | 80 | 50 | 40 | 5,30 |

ELEMENTI ELASTICI TIPO "LTA"

RUBBER SUSPENSION UNIT TYPE "LTA"

RESATEC
CERTIFICATA ISO 9001

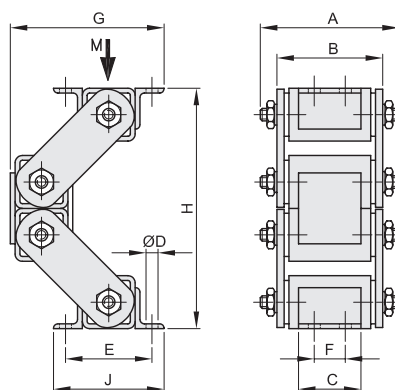


| codice | COPPIA M IN NM A 32° TORQUE M IN NM AT 32° | A | B | C | D | Ø E | F | Kg. |
|-----------|---|-----|-----|----|----|--------|----|------|
| LTA 4-30 | 20 | 30 | 35 | 32 | 18 | 6 | 12 | 0,10 |
| LTA 4-50 | 34 | 50 | 55 | 32 | 18 | 6 | 12 | 0,15 |
| LTA 4-80 | 54 | 80 | 85 | 32 | 18 | 6 | 12 | 0,26 |
| LTA 5-40 | 56 | 40 | 45 | 45 | 27 | 8 | 20 | 0,26 |
| LTA 5-60 | 85 | 60 | 65 | 45 | 27 | 8 | 20 | 0,37 |
| LTA 5-100 | 140 | 100 | 105 | 45 | 27 | 8 | 20 | 0,62 |
| LTA 6-60 | 160 | 60 | 70 | 60 | 38 | 10 | 25 | 0,61 |
| LTA 6-80 | 215 | 80 | 90 | 60 | 38 | 10 | 25 | 0,80 |
| LTA 6-120 | 320 | 120 | 130 | 60 | 38 | 10 | 25 | 1,15 |
| LTA 7-80 | 315 | 80 | 90 | 72 | 45 | 12 | 35 | 1,01 |
| LTA 7-100 | 390 | 100 | 110 | 72 | 45 | 12 | 35 | 3,00 |
| LTA 7-150 | 580 | 150 | 160 | 72 | 45 | 12 | 35 | 4,45 |
| LTA 8-120 | 760 | 120 | 130 | 80 | 50 | M12x40 | 40 | 1,85 |
| LTA 8-200 | 1370 | 200 | 210 | 80 | 50 | M12x40 | 40 | 3,02 |
| LTA 8-300 | 2050 | 300 | 310 | 80 | 50 | M12x40 | 40 | 4,48 |

ELEMENTI OSCILLANTI TIPO "HC"

OSCILLANTING-MOUNTINGS TYPE "HC"

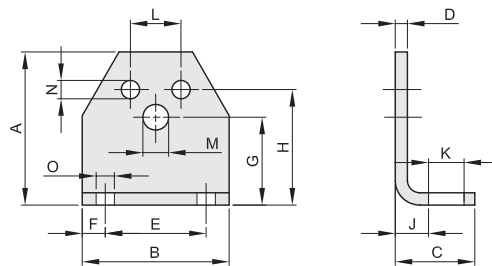
RESATEC
CERTIFICATA ISO 9001



| codice | A | B | C | Ø D | E | F | G | G max | H | H min | J | CARICO LAOD M in N | Kg. |
|--------|-----|-----|-----|-----|-----|----|-----|-------|-----|-------|-----|--------------------|-------|
| HC 6 | 138 | 117 | 65 | 13 | 100 | 40 | 180 | 205 | 290 | 190 | 120 | 500 - 1500 | 6,90 |
| HC 7 | 168 | 142 | 80 | 13 | 115 | 48 | 201 | 225 | 335 | 235 | 135 | 1100 - 3200 | 13,50 |
| HC 8 | 195 | 164 | 100 | 17 | 130 | 60 | 224 | 260 | 360 | 250 | 160 | 2400 - 7000 | 20,50 |

SUPPORTI TIPO "MA" MOUNTING SUPPORT TYPE "MA"

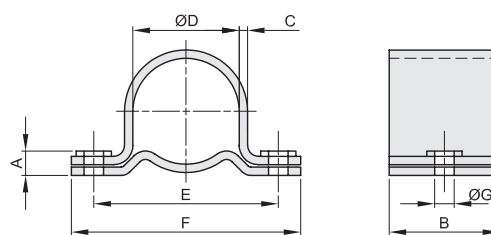
RESATEC
CERTIFICATA ISO 9001



| codice | adatto a tipo | | A | B | C | D | E | F | G | H | J | K | L | M | N | O | Kg. |
|-------------|---------------|-------|-----|-----|----|----|-----|------|----|-----|----|----|----|------|------|------|------|
| | TE... | LT... | | | | | | | | | | | | | | | |
| MA 2 | 2 | 3 | 46 | 50 | 30 | 4 | 30 | 10 | 27 | 35 | 12 | 13 | 10 | 6,5 | 5,5 | 7 | 0,09 |
| MA 3 | 3 | 4 | 58 | 60 | 32 | 6 | 40 | 10 | 34 | 44 | 14 | 13 | 12 | 8,5 | 6,5 | 7 | 0,19 |
| MA 4 | 4 | 5 | 75 | 70 | 38 | 6 | 50 | 10 | 45 | 55 | 16 | 16 | 20 | 10,5 | 8,5 | 9,5 | 0,30 |
| MA 5 | 5 | 6 | 98 | 90 | 52 | 8 | 65 | 12,5 | 75 | 75 | 21 | 22 | 25 | 12,5 | 10,5 | 11,5 | 0,70 |
| MA 6 | 6 | 7 | 116 | 110 | 55 | 8 | 80 | 15 | 66 | 85 | 21 | 24 | 35 | 16,5 | 12,5 | 14 | 0,90 |
| MA 7 | 7 | 8 | 140 | 140 | 66 | 10 | 100 | 20 | 80 | 110 | 26 | 30 | 40 | 20,5 | 12,5 | 18 | 1,80 |

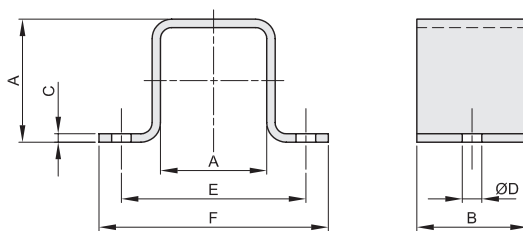
STAFFE TIPO "CK" MOUNTING CLAMP TYPE "CK"

RESATEC
CERTIFICATA ISO 9001



| codice | A | B | C | ØD | E | F | ØG | Kg. |
|-------------|----|----|---|----|-----|-----|------|------|
| CK 5 | 10 | 40 | 3 | 62 | 92 | 125 | 10,5 | 0,30 |
| CK 6 | 11 | 40 | 3 | 80 | 115 | 150 | 12,5 | 0,45 |

STAFFE TIPO "MS" MOUNTING CLAMP TYPE "MS"



| codice | A | B | C | ØD | E | F | Kg. |
|-------------|----|----|---|------|-----|-----|------|
| MS 3 | 27 | 25 | 2 | 6,5 | 50 | 65 | 0,04 |
| MS 4 | 32 | 30 | 3 | 8,5 | 60 | 80 | 0,09 |
| MS 5 | 45 | 35 | 3 | 10,5 | 80 | 105 | 0,16 |
| MS 6 | 60 | 40 | 5 | 12,5 | 100 | 125 | 0,29 |
| MS 7 | 72 | 45 | 5 | 12,5 | 115 | 145 | 0,45 |
| MS 8 | 80 | 50 | 6 | 17 | 130 | 170 | 0,68 |