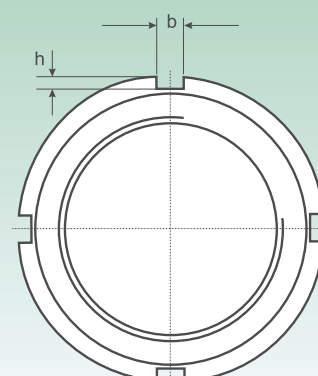
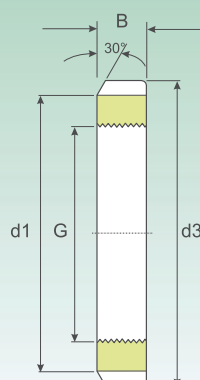
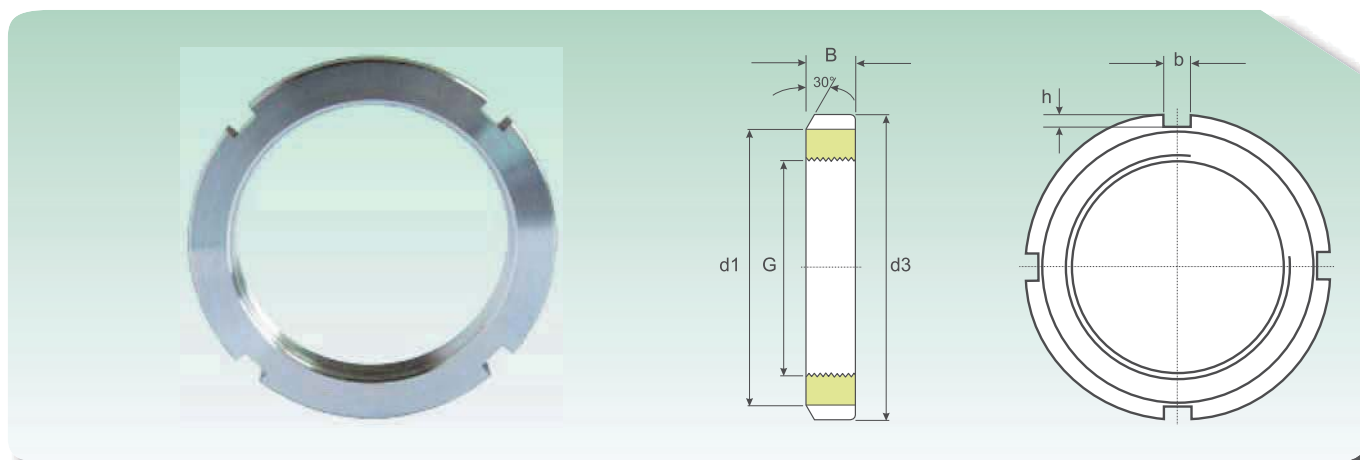


GHIERE DI BLOCCAGGIO CON ROSETTA DI SICUREZZA LOCK NUTS WITH LOCKING WASHER



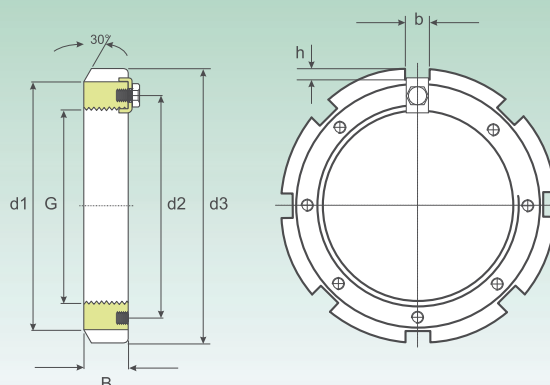
Dimensioni Dimension						Peso (kg) Weight (Kg)	Sigla Designation	
G (mm)	d1 (mm)	d3 (mm)	B (mm)	b (mm)	h (mm)		Ghiera di bloccaggio Designation locknut	Rosetta di sicurezza Locking Washer
M 10x0.75	13.5	18	4	3	2	0.004	KM 0	MB 0
M 12x1	17	22	4	3	2	0.006	KM 1	MB 1
M 15x1	21	25	5	4	2	0.009	KM 2	MB 2
M 17x1	24	28	5	4	2	0.015	KM 3	MB 3
M 20x1	26	32	6	4	2	0.025	KM 4	MB 4
M 25x1.5	32	38	7	5	2	0.028	KM 5	MB 5
M 30x1.5	38	45	7	5	2	0.039	KM 6	MB 6
M 35x1.5	44	52	8	5	2	0.059	KM 7	MB 7
M 40x1.5	50	58	9	6	2.5	0.078	KM 8	MB 8
M 45x1.5	56	65	10	6	2.5	0.11	KM 9	MB 9
M 50x1.5	61	70	11	6	2.5	0.14	KM 10	MB 10
M 55x2	67	75	11	7	3	0.15	KM 11	MB 11
M 60x2	73	80	11	7	3	0.16	KM 12	MB 12
M 65x2	79	85	12	7	3	0.19	KM 13	MB 13
M 70x2	85	92	12	8	3.5	0.23	KM 14	MB 14
M 75x2	90	98	13	8	3.5	0.27	KM 15	MB 15
M 80x2	95	105	15	8	3.5	0.36	KM 16	MB 16
M 85x2	102	110	16	8	3.5	0.41	KM 17	MB 17
M 90x2	108	120	16	10	4	0.51	KM 18	MB 18
M 95x2	113	125	17	10	4	0.55	KM 19	MB 19
M 100x2	120	130	18	10	4	0.64	KM 20	MB 20
M 105x2	126	140	18	12	4	0.79	KM 21	MB 21
M 110x2	133	145	19	12	5	0.87	KM 22	MB 22
M 115x2	137	150	19	12	5	0.91	KM 23	MB 23
M 120x2	135	145	20	12	5	0.69	KML 24	MBL 24
M 120x2	138	155	20	12	5	0.97	KM 24	MB 24
M 125x2	148	160	21	12	5	1.09	KM 25	MB 25
M 130x2	145	155	21	12	5	0.8	KML 26	MBL 26
M 130x2	149	165	21	12	5	1.09	KM 26	MB 26
M 135x2	160	175	22	14	6	1.39	KM 27	MB 27
M 140x2	155	165	22	12	5	0.92	KML 28	MBL 28

GHIERE DI BLOCCAGGIO CON ROSETTA DI SICUREZZA LOCK NUTS WITH LOCKING WASHER



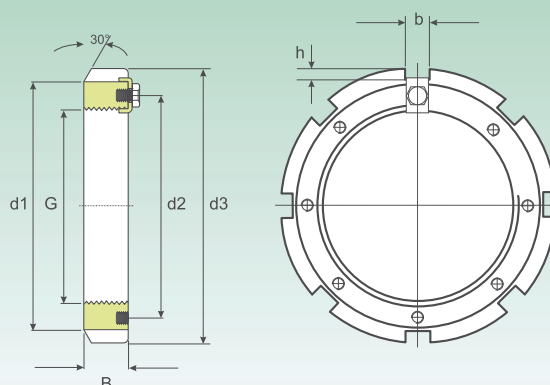
Dimensioni Dimension						Peso (kg) Weight (Kg)	Sigla Designation	
G (mm)	d1 (mm)	d3 (mm)	B (mm)	b (mm)	h (mm)		Ghiera di bloccaggio Designation locknut	Rosetta di sicurezza Locking Washer
M 140x2	160	180	22	14	6	1.4	KM 28	MB 28
M 145x2	171	190	24	14	6	1.8	KM 29	MB 29
M 150x2	170	180	24	14	5	1.25	KML 30	MBL 30
M 150x2	171	195	24	14	6	1.88	KM 30	MB 30
M 155x3	182	200	25	16	7	2.09	KM 31	MB 31
M 160x3	180	190	25	14	5	1.39	KML 32	MBL 32
M 160x3	182	210	25	16	7	2.29	KM 32	MB 32
M 165x3	193	210	26	16	7	2.31	KM 33	MB 33
M 170x3	190	200	26	16	5	1.56	KML 34	MBL 34
M 170x3	193	220	26	16	7	2.54	KM 34	MB 34
M 180x3	200	210	27	16	5	1.78	KML 36	MBL 36
M 180x3	203	230	27	18	8	2.78	KM 36	MB 36
M 190x3	210	220	28	16	5	1.84	KML 38	MBL 38
M 190x3	214	240	28	18	8	3.05	KM 38	MB 38
M 200x3	222	240	29	18	8	2.61	KML 40	MBL 40
M 200x3	226	250	29	18	8	3.37	KM 40	MB 40
M 220x4	250	280	32	20	10	5,4	KM 44	MB 44
M 240x4	270	300	34	20	10	6,2	KM 48	MB 48

GHIERE DI BLOCCAGGIO GRAFFA DI FERMO LOCK NUTS WITH LOCKING CLIPS



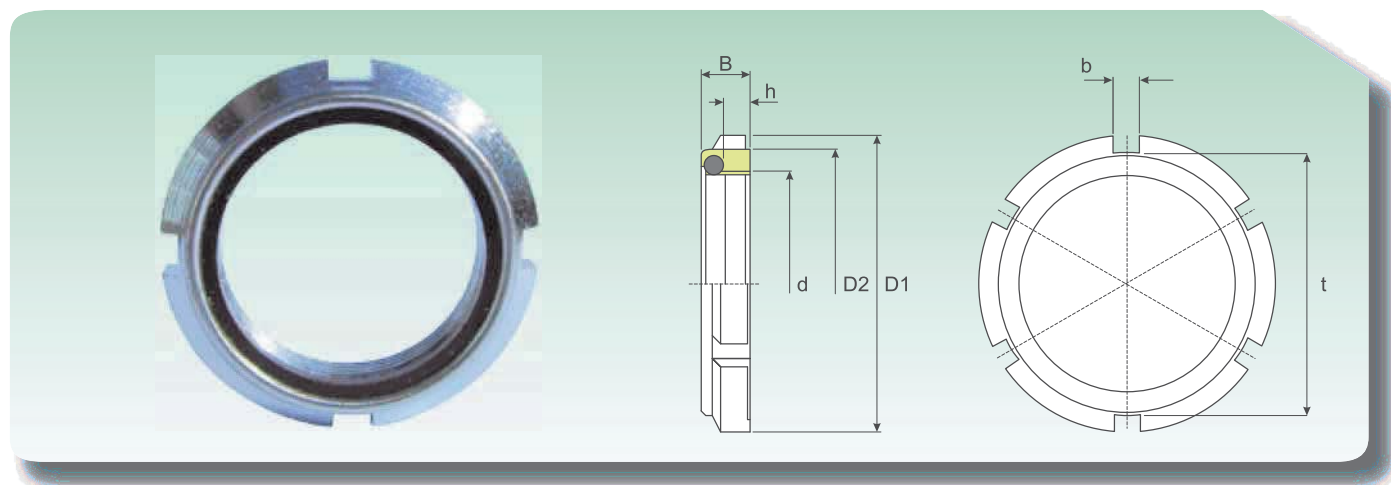
Dimensione Dimension							Peso (Kg) Weight (Kg)	Sigla Designation	
G (mm)	d1 (mm)	d2 (mm)	b (mm)	h (mm)	d3 (mm)	B (mm)		Ghiera Lock nut	Graffa di fermo Locking clip
Tr 220x4	242	229	20	9	260	30	2.75	HM 3044	MS 3044
Tr 240x4	270	253	20	10	290	34	4.5	HM 3048	MS 3052-48
	270	253	20	10	290	34	4.5	HME 3048	MS 3052-48
Tr 260x4	290	273	20	10	310	34	4.8	HM 3052	MS 3052-48
Tr 280x4	310	293	24	10	330	38	5.75	HM 3056	MS 3056
Tr 300x4	336	316	24	12	360	42	8.35	HM 3060	MS 3060
	340	326	24	12	380	40	11.5	HM 3160	MS 3160
Tr 320x5	356	336	24	12	380	42	9	HM 3064	MS 3068-64
	360	346	24	12	400	42	13	HM 3164	MS 3164
Tr 340x5	376	356	24	12	400	45	11	HM 3068	MS 3068-64
	400	373	28	15	440	55	24	HM 3168	MS 3172-68
Tr 360x5	394	375	28	13	420	45	11.5	HM 3072	MS 3072
	420	393	28	15	460	58	26.5	HM 3172	MS 3172-68
Tr 380x5	422	399	28	14	450	48	15	HM 3076	MS 3080-76
	440	415	32	18	490	60	32	HM 3176	MS 3176
Tr 400x5	442	419	28	14	470	52	17	HM 3080	MS 3080-76
	460	440	32	18	520	62	38	HM 3180	MS 3184-80
Tr 420x5	462	439	32	14	490	52	18.5	HM 3084	MS 3084
	462	439	32	14	490	52	18.5	HME 3084	MS 3084
	490	460	32	18	540	70	45	HM 3184	MS 3184-80
Tr 440x5	490	463	32	15	520	60	26	HM 3088	MS 3092-88
	510	478	36	20	560	70	46.5	HM 3188	MS 3192-88
Tr 460x5	510	483	32	15	540	60	27	HM 3092	MS 3092-88
	540	498	36	20	580	75	50.5	HM 3192	MS 3192-88
Tr 480x5	530	503	36	15	560	60	28	HM 3096	MS 30/500-96
	560	528	36	20	620	75	62	HM 3196	MS 3196
Tr 500x5	550	523	36	15	580	68	33.5	HM 30/500	MS 30/500-96
	550	523	36	15	580	68	33.5	HME 30/500	MS 30/500-96
	580	540	40	23	630	80	63.5	HM 31/500	MS 31/500
Tr 530x6	590	558	40	20	630	68	42.5	HM 30/530	MS 30/530
	610	575	40	23	670	80	71.5	HM 31/530	MS 31/600-530
Tr 560x6	610	583	40	20	650	75	44.5	HM 30/560	MS 30/560
	610	583	40	20	650	75	44.5	HME 30/560	MS 30/560
	650	608	45	25	710	85	86.5	HM 31/560	MS 31/600-560
Tr 600x6	660	628	45	20	700	75	52.5	HM 30/600	MS 30/600-530
	660	628	45	20	700	75	52.5	HME 30/600	MS 30/600-530
	690	648	50	25	750	85	91.5	HM 31/600	MS 31/600-560
Tr 630x6	690	658	45	20	730	75	55	HM 30/630	MS 30/630
	730	685	50	28	800	95	125	HM 31/630	MS 31/630

GHIERE DI BLOCCAGGIO GRAFFA DI FERMO LOCK NUTS WITH LOCKING CLIPS



Dimensione Dimension							Peso (Kg) Weight (Kg)	Sigla Designation	
G (mm)	d1 (mm)	d2 (mm)	b (mm)	h (mm)	d3 (mm)	B (mm)		Ghiera Lock nut	Graffa di fermo Locking clip
Tr 670x6	740	703	50	20	780	80	68,5	HM 30/670	MS 30/670
	775	730	45	28	850	106	155	HM 31/670	MS 31/670
Tr 710x7	780	742	50	25	830	90	91,5	HM 30/710	MS 30/710
	780	742	50	25	830	90	91,5	HME 30/710	MS 30/710
	825	772	55	30	900	106	162	HM 31/710	MS 31/710
Tr 750x7	820	782	55	25	870	90	94	HM 30/750	MS 30/800-750
	820	782	55	25	870	90	94	HME 30/750	MS 30/800-750
	875	813	60	34	950	112	190	HM 31/750	MS 31/800-750
Tr 800x7	870	832	55	25	920	90	99,5	HM 30/800	MS 30/800-750
	925	863	60	34	1000	112	202	HM 31/800	MS 31/800-750
Tr 850x7	925	887	60	25	980	90	115	HM 30/850	MS 30/900-850
	925	887	60	25	980	90	110	HME 30/850	MS 30/900-850
	975	914	70	38	1060	118	234	HM 31/850	MS 31/850
Tr 900x7	975	937	60	25	1030	100	131	HM 30/900	MS 30/900-850
	1030	969	70	38	1120	125	279	HM 31/900	MS 31/900
Tr 950x8	1025	985	60	25	1080	100	139	HM 30/950	MS 30/950
	1080	1017	70	38	1170	125	293	HM 31/950	MS 31/950
Tr 1000x8	1085	1040	60	25	1140	100	157	HM 30/1000	MS 30/1000
	1140	1077	70	38	1240	125	336	HM 31/1000	MS 31/1000
Tr 1060x8	1145	1100	60	25	1200	100	166	HM 30/1060	MS 30/1000
	1210	1137	70	38	1300	125	354	HM 31/1060	MS 31/1000
Tr 1120x8	1205	1160	60	25	1260	100	175	HM 30/1120	MS 30/1000

GHIERE AUTOBLOCCANTI, TIPO NORMALE SELF-LOCK NUTS, NORMAL TYPE

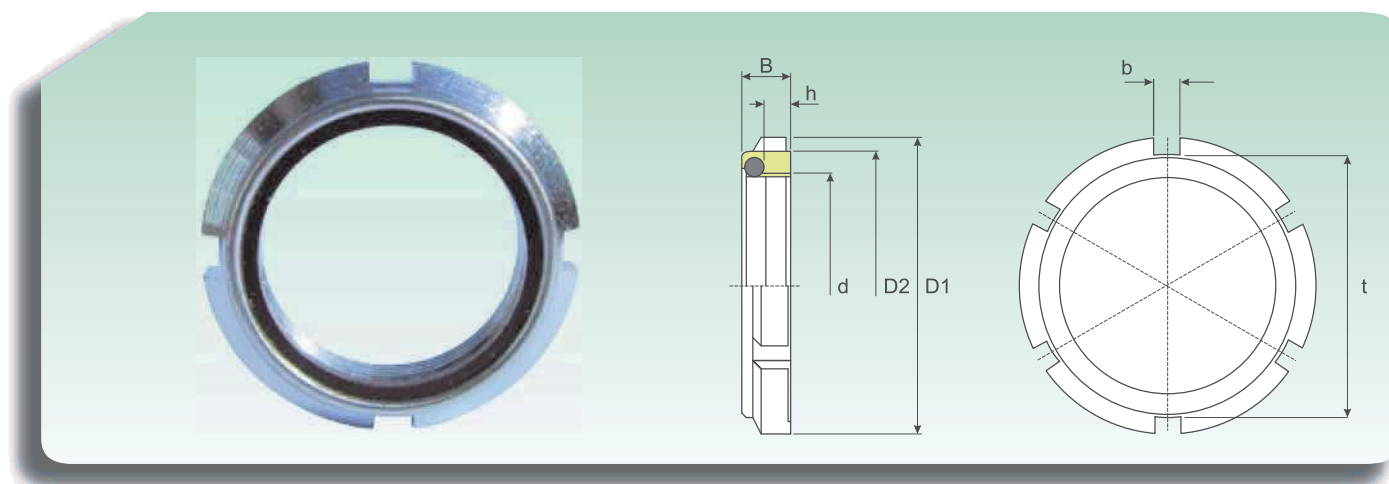


Dimensione Dimnasion						Filetto Screw	Sigla Designation
B (mm)	h (mm)	D1 (mm)	D2 (mm)	b (mm)	t (mm)		
7.6	4.4	18	14	3	14	M10x0.75	GTN010
7.6	4.4	21	18	3	18	M 12 x 1	GTN012
8.6	5.2	24	21	4	21	M 15 x 1	GTN015
8.6	5.2	28	24	4	24	M17x1	GTN017
9.6	6	32	27	4	27	M 20 x 1	GTN020
10.5	6	38	33	5	33	M 25 x 1.5	GTN025
10.7	6.6	44	38	5	38	M 30 x 1.5	GTN030
11.3	6.6	50	44	5	44	M 35 x 1.5	GTN035
12.3	7.5	56	50	6	50	M 40 x 1.5	GTN040
12.3	7.5	62	55	6	55	M 45 x 1.5	GTN045
12.9	7.6	68	61	6	61	M 50 x 1.5	GTN050
13.4	7.6	75	68	7	68	M 55 x 2	GTN055
13.4	7.6	80	73	7	73	M 60 x 2	GTN060
14.5	8.7	85	78	7	78	M 65 x 2	GTN065
14.5	8.7	92	84	8	84	M 70 x 2	GTN070
15.5	9.7	98	90	8	90	M 75 x 2	GTN075
16.5	10.7	105	97	8	97	M 80 x 2	GTN080
17.5	11.7	110	102	8	102	M 85 x 2	GTN085
17.7	11.9	120	110	10	110	M 90 x 2	GTN090
18.7	12.9	125	116	10	116	M 95 x 2	GTN095
19.7	13.9	130	120	10	120	M 100 x 2	GTN100

* Tipo di acciaio e classe di resistenza/resistenza alla trazione: 14H
Trattamenti superficiali: zincatura bianca
Materiale dell'inserto: Nylon

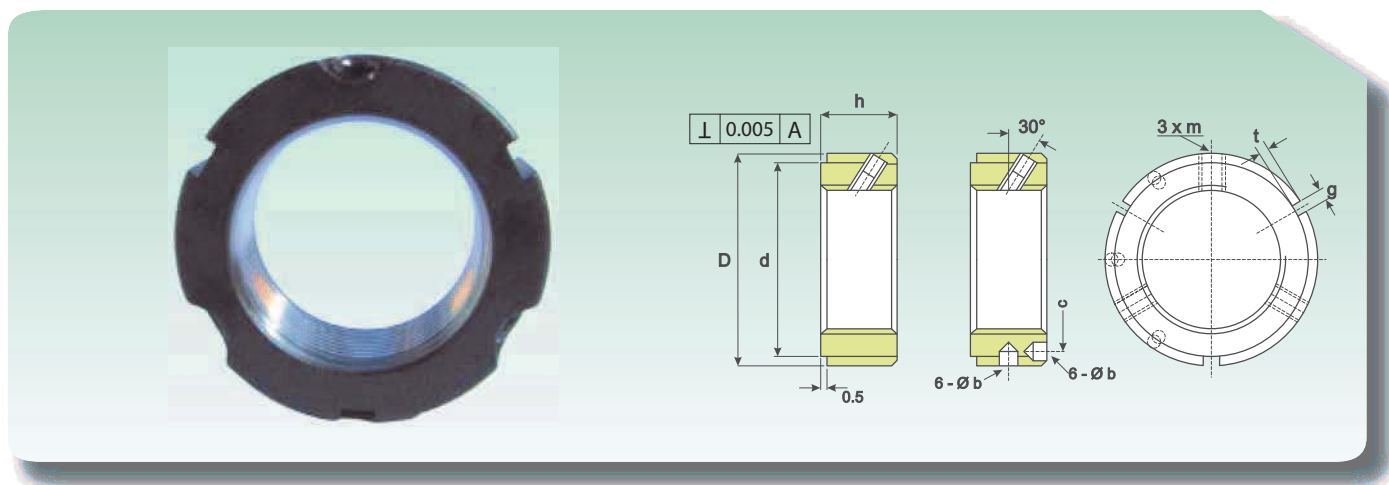
* Type of steel and strength class/strength to traction: 14 H
Surface treatment: white galvanization
Insert material: Nylon

GHIERE AUTOBLOCCANTI, TIPO PESANTE
SELF-LOCK NUTS, HEAVY TYPE



Dimensione Dimnision							Sigla Designation
B (mm)	h (mm)	D1 (mm)	D2 (mm)	b (mm)	t (mm)	Filetto Scew	
13.2	9.6	32	27	4	27	M 20 x 1	GTP020
14.2	10	38	33	5	33	M 25 x 1.5	GTP025
14.2	10	44	38	5	38	M 30 x 1.5	GTP030
15.5	10.6	50	44	5	44	M 35 x 1.5	GTP035
16.7	11.9	56	50	6	50	M 40 x 1.5	GTP040
16.7	11.9	62	55	6	55	M 45 x 1.5	GTP045
18.7	12.9	68	61	6	61	M 50 x 1.5	GTP050
18.7	12.9	75	68	7	68	M55x2	GTP055
18.7	12.9	80	73	7	73	M 60 x 2	GTP060
19.7	13.9	85	78	7	78	M 65 x 2	GTP065
19.7	13.9	92	84	8	84	M 70 x 2	GTP070
20.7	14.9	98	90	8	90	M 75 x2	GTP075
20.7	14.9	105	97	8	97	M80x2	GTP080
21.7	15.9	110	102	8	102	M85x2	GTP085
21.7	15.9	120	110	10	110	M 90 x2	GTP090
22.2	17.1	125	116	10	116	M 95 x 2	GTP095
24.2	18.4	130	120	10	120	M 100 x 2	GTP100

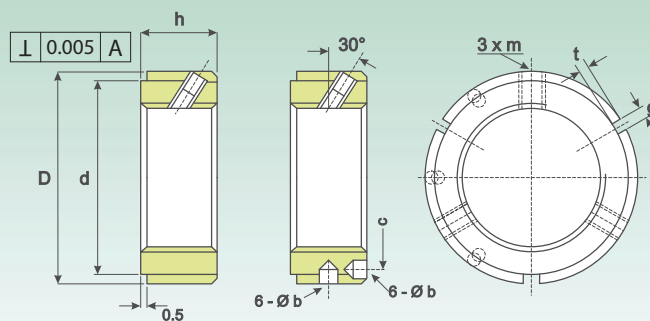
GHIERA YSF BLOCCAGGIO SUL FIANCO LOCK NUT YSF SIDE LOCKING



D (mm)	h (mm)	Dimensioni Dimension				m	Coppia massima (Nm) Max Torque (Nm)	Peso (Kg) Weight (Kg)	Sigla Designation
		d (mm)	g/b	t/c					
32	16	27	4/-	2	-	M5	4.5	0.07	YSF M 17X1
38	16	33	4/-	2	-	M5	4.5	0.1	YSF M 20X1
	16	33	4/-	2	-	M6	8	0.1	YSF M 20X1.5
	18	33	5/-	2	-	M6	8	0.09*	YSF M 25X1.5
45	18	40	5/-	2	-	M6	8	0.13	YSF M 30X1.5
52	18	47	5/-	2	-	M8	18	0.17	YSF M 35X1.5
58	20	52	6/-	2.5	-	M8	18	0.22	YSF M 40X 1.5
65	20	59	6/-	2.5	-	M8	18	0.27	YSF M 45X1.5
70	20	64	6/	2.5	-	M8	18	0.31	YSF M 50X1.5
75	22	68	7/Ø6	2.5	65	M8	18	0.36	YSF M 55X2
80	22	73	7/Ø6	2.5	70	M8	18	0.39	YSF M 60X2
85	22	78	7/Ø6	2.5	75	M8	18	0.43	YSF M 65X2
92	24	84	8/Ø7	3	81	M8	18	0.55	YSF M 70X2
98	24	90	8/Ø7	3	87	M8	18	0.62	YSF M 75X2
105	24	96	8/Ø7	3	93	M8	18	0.71	YSF M 80X2
110	24	102	8/Ø7	3	98	M8	18	0.74	YSF M 85X2
120	26	108	10/ Ø7	3	105	M8	18	1.02	YSF M 90X2
125	26	113	10/ Ø7	3	110	M8	18	1.08	YSF M 95X2
130	26	118	10/ Ø7	3	115	M8	18	1.1	YSF M 100X2
140	28	125	10/ Ø7	3	123	M 10	35	1.48	YSF M 105X2
145	28	132	10/ Ø7	3	128	M 10	35	1.57	YSF M 110X2
150	28	137	10/ Ø7	3	133	M 10	35	1.6	YSF M 115X2
155	30	142	12/ Ø7	3	138	M 10	35	1.76	YSF M 120X2
160	30	147	12/ Ø7	3	143	M10	35	1.82	YSF M 125X2
165	30	152	12/ Ø 7	3	148	M 10	35	1.89	YSF M 130X2
175	32	160	12/ Ø7	3.5	155	M10	35	2.46	YSF M 135X2
180	32	165	12/ Ø 7	3.5	160	M 10	35	2.47	YSF M 140X2
190	32	175	12/ Ø7	3.5	168	M10	35	2.96	YSF M 145X2
195	32	180	12/ Ø7	3.5	173	M 10	35	3.02	YSF M 150X2
200	34	180	14/ Ø 8	3.5	178	M 10	35	3.32	YSF M 155X3
	34	190	14/ Ø 8	3.5	185	M10	35	3.88	YSF M 160X3
210	34	190	14/ Ø 8	3.5	188	M 10	35	3.96	YSF M.165X3

* Il peso è corretto
* The weight is correct

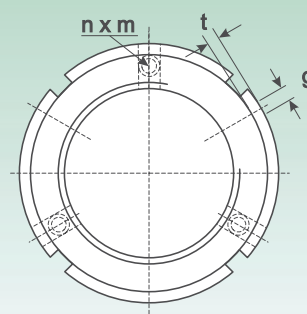
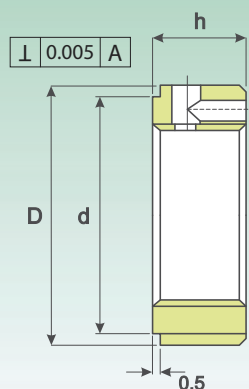
GHIERA YSF BLOCCAGGIO SUL FIANCO LOCK NUT YSF SIDE LOCKING



D (mm)	h (mm)	d (mm)	Dimensioni Dimension			m	Coppia massima (Nm) Max Torque (Nm)	Peso (Kg) Weight (Kg)	Sigla Designation
			g/b	t/c					
220	34	200	14/Ø 8	3.5	195	M 10	35	4.04	YSF M 170X3
230	36	205	16/Ø 8	3.5	205	M 12	60	4.4	YSF M 180X3
240	36	215	16/Ø 8	3.5	215	M 12	60	4.77	YSF M 190X3
250	38	225	16/Ø 8	3.5	225	M 12	60	5.26	YSF M 200X3

* Il peso è corretto
* The weight is correct

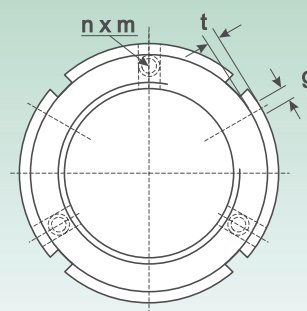
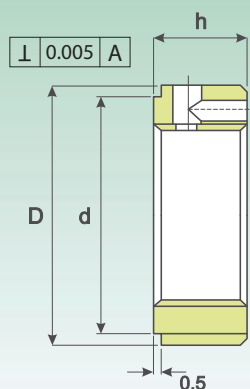
GHIERA YSA BLOCCAGGIO ASSIALE LOCK NUT YSA AXIAL LOCKING



Dimensioni						Coppia massima (Nm) Max Torque (Nm)	Peso (Kg) Weight (Kg)	Sigla Designation
D (mm)	h (mm)	g (mm)	t (mm)	d (mm)	n X m			
32	16	4	2	27	2XM4	3.5	0.07	YSA M 17X1
38	16	4	2	33	3XM4	4.5	0.1	YSAM 20X1
	16	4	2	33	3XM4	4.5	0.1	YSA M 20X1.5
	18	5	2	33	3XM4	4.5	0.09*	YSA M 25X1.5
45	18	5	2	40	3 XM4	4.5	0.13	YSA M 30X1.5
52	18	5	2	47	3XM6	8	0.17	YSA M 35X1.5
58	20	6	2.5	52	3XM6	8	0.22	YSA M 40X1.5
65	20	6	2.5	59	3XM6	8	0.27	YSA M 45X1.5
70	20	6	2.5	64	3XM6	8	0.31	YSA M 50X1.5
75	22	7	3	68	3XM6	8	0.36	YSA M 55X2
80	22	7	3	73	3XM6	8	0.39	YSA M 60X2
85	22	7	3	78	3 XM6	8	0.43	YSAM 65X2
92	24	8	3.5	84	3 XM8	18	0.55	YSA M 70X2
98	24	8	3.5	90	3 XM8	18	0.62	YSAM 75X2
105	24	8	3.5	96	3XM8	18	0.71	YSA M 80X2
110	24	8	3.5	102	3XM 8	18	0.74	YSA M 85X2
120	26	10	4	108	3XM8	18	1.02	YSAM 90X2
125	26	10	4	113	3XM8	18	1.08	YSA M 95X2
130	26	10	4	118	3 XM8	18	1.1	YSA M 100X2
140	28	12	5	125	3XM 10	35	1.48	YSA M 105X2
145	28	12	5	132	3 XM 10	35	1.57	YSA M 110X2
150	28	12	5	137	3XM 10	35	1.6	YSA M 115X2
155	30	12	5	142	3XM 10	35	1.76	YSA M 120X2
160	30	12	5	147	3 XM 10	35	1.82	YSA M 125X2
165	30	12	5	152	3 XM 10	35	1.89	YSA M 130X2
175	32	14	6	160	3XM 12	35	2.46	YSA M 135X2
180	32	14	6	165	3XM 12	35	2.47	YSA M 140X2
190	32	14	6	175	3XM 12	35	2.96	YSA M 145X2
195	32	14	6	180	3 XM 12	35	3.02	YSA M 150X2
200	34	16	7	180	3 XM 12	35	3.32	YSA M 155X3
	34	16	7	190	3XM 12	35	3.88	YSA M 160X3
210	34	16	7	190	3XM 12	35	3.96	YSA M 165X3
	34	16	7	190	3XM 12	35	3.96	YSA M 165X3

* Il peso è corretto
* The weight is correct

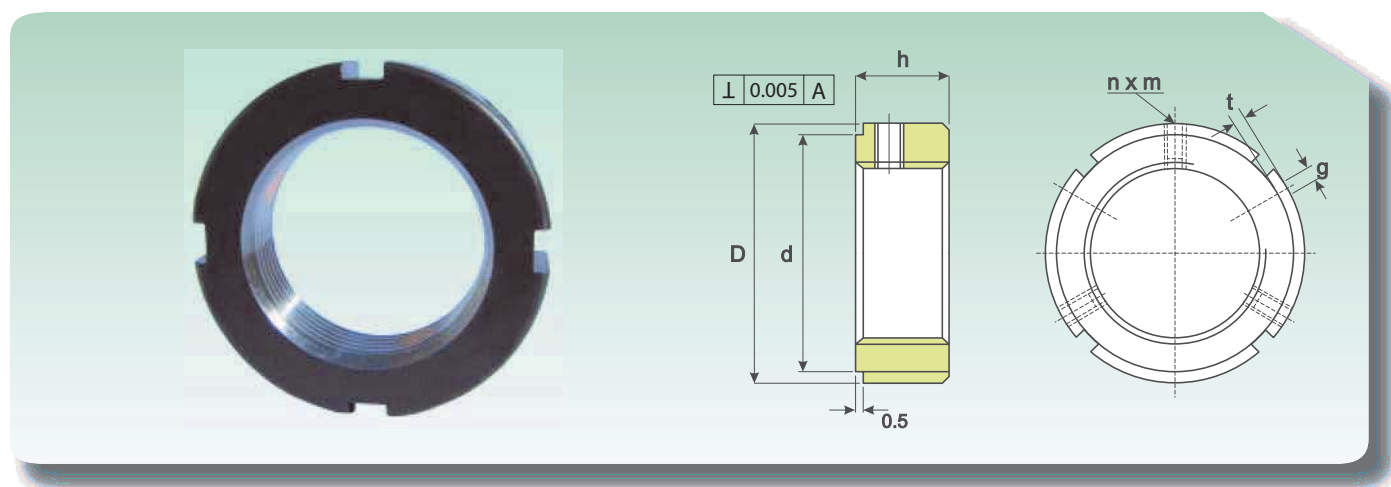
GHIERA YSA BLOCCAGGIO ASSIALE LOCK NUT YSA AXIAL LOCKING



Dimensioni Dimensioni						Coppia massima (Nm) Max Torque (Nm)	Peso (Kg) Weight (Kg)	Sigla Designation
D (mm)	h (mm)	g (mm)	t (mm)	d (mm)	n X m			
220	34	16	7	200	3XM 12	35	4.04	YSA M 170X3
230	36	18	8	205	3XM 12	60	4.4	YSA M 180X3
240	36	18	8	215	3XM 12	60	4.77	YSA M 190X3
250	38	18	8	225	3XM 12	60	5.26	YSAM 200X3

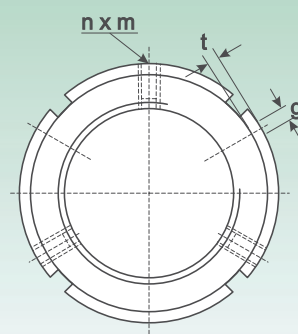
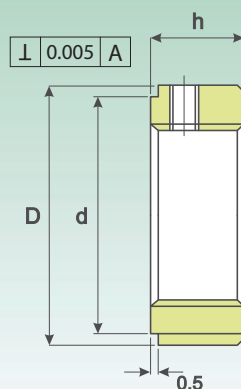
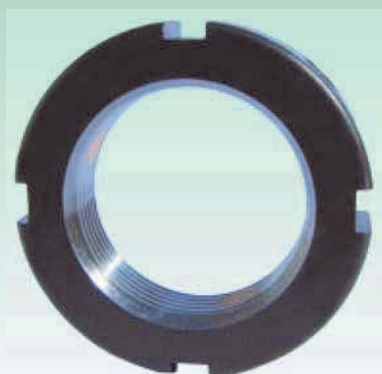
* Il peso è corretto
* The weight is correct

GHIERA YSR BLOCCAGGIO RADIALE LOCK NUT YSR RADIAL LOCKING



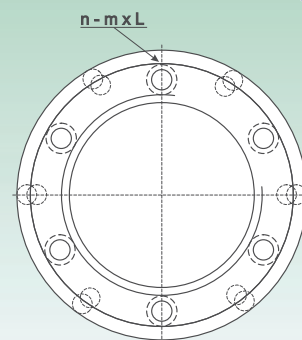
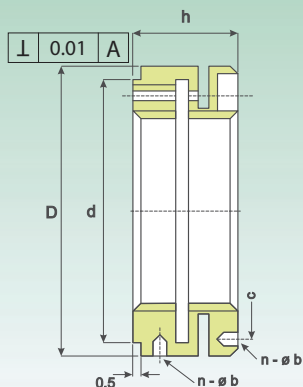
Dimensioni Dimension						Coppia massima (Nm) Max Torque (Nm)	Peso (Kg) Weight (Kg)	Sigla Designation
D (mm)	h (mm)	g (mm)	t (mm)	d (mm)	n X m			
16	8	3	2	11	2XM4	4.5	0.015	YSR M 8X0.75
18	8	3	2	13	2XM4	4.5	0.02	YSR M 10X0.75
20	8	3	2	16	2XM4	4.5	0.02	YSR M 12X1
25	8	3	2	21	2XM4	4.5	0.025	YSR M 15X1
28	10	4	2	23	2XM5	8	0.03	YSR M 17X1
32	10	4	2	27	2XM5	8	0.04	YSRM 20X1
	10	4	2	33	2XM5	8	0.04	YSR M 20X1.5
38	12	5	2	33	3XM6	8	0.055	YSR M 25X1.5
45	12	5	2	40	3XM6	8	0.08	YSR M 30X1.5
52	12	5	2	47	3XM6	18	0.12	YSR M 35X1.5
58	14	6	2.5	52	3XM6	18	0.15	YSR M 40X1.5
65	14	6	2.5	59	3XM6	18	0.19	YSRM 45X1.5
70	14	6	2.5	64	3XM6	18	0.22	YSRM 50X1.5
75	16	7	3	68	3XM8	18	0.27	YSRM 55X2
80	16	7	3	73	3XM8	18	0.3	YSR M 60X2
85	16	7	3	78	3XM8	18	0.31	YSRM 65X2
92	18	8	3.5	84	3XM8	18	0.41	YSR M 70X2
98	18	8	3.5	90	3XM8	18	0.47	YSRM 75X2
105	18	8	3.5	96	3XM8	18	0.53	YSRM 80X2
110	18	8	3.5	102	3XM8	18	0.58	YSR M 85X2
120	20	10	4	108	3XM8	18	0.82	YSRM 90X2
125	20	10	4	113	3XM8	18	0.86	YSR M 95X2
130	20	10	4	118	3XM8	18	0.89	YSR M 100X2
140	22	10	5	125	3XM8	35	1.19	YSRM 105X2
145	22	12	5	132	3XM8	35	1.23	YSRM 110X2
150	22	12	5	137	3XM8	35	1.27	YSRM 115X2
155	24	12	5	142	3XM8	35	1.45	YSR M 120X2
160	24	12	5	147	3XM8	35	1.49	YSRM 125X2
165	24	12	5	152	3XM8	35	1.54	YSR M 130X2
175	26	14	6	160	3XM10	35	1.99	YSRM 135X2
180	26	14	6	165	3XM10	35	2.06	YSRM 140X2

GHIERA YSR BLOCCAGGIO RADIALE LOCK NUT YSR RADIAL LOCKING



D (mm)	Dimensioni Dimension				n X m	Coppia massima (Nm) Max Torque (Nm)	Peso (Kg) Weight (Kg)	Sigla Designation
	h (mm)	g (mm)	t (mm)	d (mm)				
190	26	14	6	175	3XM10	35	2.44	YSRM 145X2
195	26	14	6	180	3XM10	35	2.51	YSR M 150X2
200	28	16	7	180	3XM10	35	2.76	YSRM 155X3
210	28	16	7	190	3XM10	35	3.25	YSR M 160X3
	28	16	7	190	3XM10	35	3.35	YSR M 165X3
220	28	16	7	200	3XM10	35	3.4	YSR M 170X3
230	30	18	8	205	3XM12	60	3.78	YSR M 180X3
240	30	18	8	215	3XM12	60	4	YSR M 190X3
250	32	18	8	225	3XM12	60	4.49	YSR M 200X3

GHIERA YSK BLOCCAGGIO AD INTAGLIO ELASTICO LOCK NUT YSK LOCKING BY ELASTIC INCISION



D (mm)	h (mm)	Dimensione Dimension				Peso (Kg) Weight (Kg)	Sigla Designation
		d (mm)	n X m-l	b	c		
40	18	35	4XM4-12	4XØ14	30	0.1	YSKM 20X1
	18	35	4XM4-12	4XØ14	30	0.1	YSKM 20X1.5
45	20	40	4XM4-14	4XØ15	35	0.13	YSKM 25X1.5
48	20	45	4 X M4-14	4XØ15	39	0.14	YSKM 30X1.5
53	22	50	4XM4-16	4XØ15	44	0.18	YSKM 35X1.5
58	22	55	4XM4-16	4XØ15	49	0.2	YSKM 40X1.5
68	22	63	4 XM4-16	4XØ16	57	0.28	YSKM 45X1.5
70	25	66	6 X M4-18	6XØ16	60	0.31	YSKM 50X1.5
75	25	71	6 XM4-18	6XØ16	65	0.34	YSKM 55X2
84	26	79	6 X M5-20	6XØ16	72	0.45	YSKM 60X2
88	28	84	6 X M5-20	6XØ16	77	0.53	YSKM 65X2
95	28	89	6 X M5-20	6XØ17	82	0.6	YSKM 70X2
100	28	94	6 X M5-20	6XØ17	87	0.66	YSKM 75X2
110	32	103	6 X M6-22	6XØ18	95	0.98	YSKM 80X2
115	32	108	6 X M6-22	6XØ18	100	0.98	YSKM 85X2
120	32	113	6 X M6-22	6XØ18	105	1.07	YSKM 90X2
125	32	118	6 X M6-22	6XØ18	110	1.1	YSKM 95X2
130	32	123	6 X M6-22	6XØ18	115	1.18	YSKM 100X2
140	32	133	6 X M6-22	6XØ18	125	1.24	YSKM 110X2
155	36	146	6 X M4-25	6XØ18	136	1.87	YSKM 120X2

* Il peso è corretto
* The weight is correct