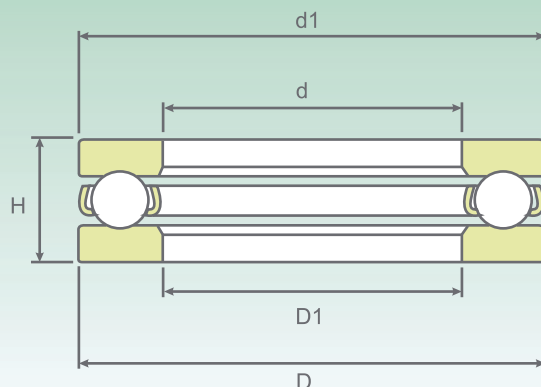
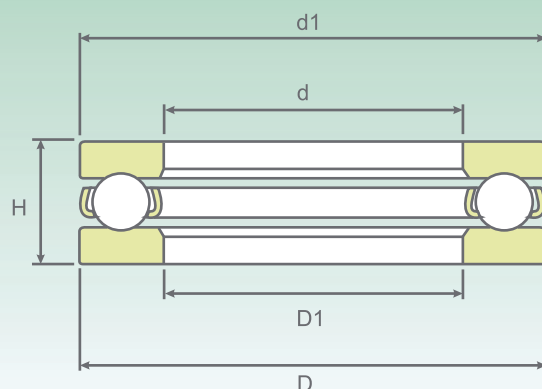


CUSCINETTI ASSIALI A SFERE A SEMPLICE EFFETTO SINGLE ACTING THRUST BALL BEARINGS



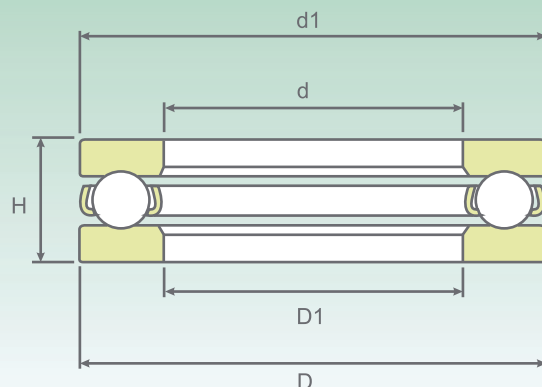
Dimensioni (mm) Dimension (mm)					Coefficiente di carico (KN) Load rating (KN)		Velocità limite (giri/min) Speed limit (Rpm)		Peso (Kg) Weight (Kg)	Sigla Designation
d (mm)	D (mm)	H (mm)	d1 (mm)	D1 (mm)	Dinamico C	Statico C ₀	Lubrificazione Lubrication			
							Grasso Grease	Olio Oil		
3	8	3.5	7.8	3.2	0.79	0.71	27540	32400	0.0009	BA 3
4	10	4	9.8	4.2	0.75	0.71	22950	27000	0.0015	BA 4
5	12	4	11.8	5.2	0.83	0.95	21420	25200	0.0021	BA 5
6	14	5	13.8	6.2	1.74	1.88	18360	21600	0.0035	BA 6
7	17	6	16.8	7.2	2.46	2.84	14535	17100	0.0065	BA 7
8	19	7	18.8	8.2	3.13	3.72	13005	15300	0.0091	BA 8
9	20	7	19.8	9.2	3.06	3.72	12240	14400	0.01	BA 9
10	24	9	24	11	9.75	14.99	9945	11700	0.02	51100
	26	11	26	12	12.45	18.23	8415	9900	0.03	51200
12	26	9	26	13	10.19	16.27	9945	11700	0.022	51101
	28	11	28	14	13.03	20.38	8415	9900	0.034	51201
15	28	9	28	16	10.39	17.93	9180	10800	0.024	51102
	32	12	32	17	16.17	26.46	7650	9000	0.045	51202
17	30	9	30	18	11.17	20.78	9180	10800	0.026	51103
	35	12	35	19	16.86	29.40	7268	8550	0.053	51203
20	35	10	35	21	14.80	28.42	7650	9000	0.039	51104
	40	14	40	22	22.05	39.69	6120	7200	0.082	51204
25	42	11	42	26	18	38	6885	8100	0.06	51105
	47	15	47	27	27	54	5738	6750	0.11	51205
	52	18	52	27	34	59	4820	5670	0.12	51305
	60	24	60	27	54	95	3825	4500	0.34	51405
30	47	11	47	32	19	42	6503	7650	0.069	51106
	52	16	52	32	25	50	5126	6030	0.13	51206
	60	21	60	32	37	70	4055	4770	0.26	51306
	70	28	70	32	71	134	3290	3870	0.52	51406
35	52	12	52	37	20	50	5738	6750	0.08	51107
	62	18	62	37	34	72	4284	5040	0.22	51207
	68	24	68	37	48	95	3443	4050	0.39	51307
	80	32	80	37	85	167	2907	3420	0.74	51407
40	60	13	60	42	25	62	5355	6300	0.12	51108
	68	19	68	42	46	104	4055	4770	0.27	51208
	78	26	78	42	61	120	3290	3870	0.53	51308
	90	36	90	42	110	220	2601	3060	1.1	51408
45	65	14	65	47	26	68	4820	5670	0.15	51109
	73	20	73	47	38	85	3825	4500	0.32	51209
	85	28	85	47	75	150	3060	3600	0.66	51309
	100	39	100	47	127	260	2295	2700	1.42	51409

CUSCINETTI ASSIALI A SFERE A SEMPLICE EFFETTO SINGLE ACTING THRUST BALL BEARINGS



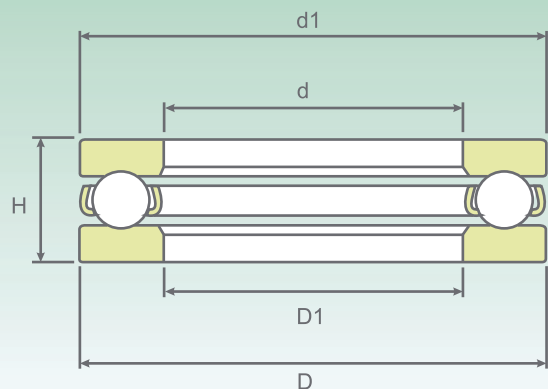
Dimensioni (mm) Dimension (mm)					Coefficiente di carico (KN) Load rating (KN)		Velocità limite (giri/min) Speed limit (Rpm)		Peso (Kg) Weight (Kg)	Sigla Designation
d (mm)	D (mm)	H (mm)	d1 (mm)	D1 (mm)	Dinamico Dynamic C	Statico Static C ₀	Lubrificazione Lubrication			
							Grasso Grease	Olio Oil		
50	70	14	70	52	26	74	4820	5670	0.16	51110
	78	22	78	52	48	114	3443	4050	0.37	51210
	95	31	85	52	87	186	2754	3240	0.94	51310
	110	43	100	52	156	333	2142	2520	2	51410
55	78	16	78	57	30	83	4055	4770	0.24	51111
	90	25	90	57	61	143	3060	3600	0.59	51211
	105	35	105	57	102	220	2448	2880	1.3	51311
	120	48	120	57	174	382	1836	2160	2.55	51411
60	85	17	85	62	41	120	3825	4500	0.3	51112
	95	26	95	62	61	147	2907	3420	0.65	51212
	110	35	110	62	99	220	2295	2700	1.35	51312
	130	51	130	62	195	421	1683	1980	3.1	51412 M
65	90	18	90	67	37	106	3672	4320	0.33	51113
	100	27	100	67	62	160	2754	3240	0.78	51213
	115	36	115	67	104	235	2295	2700	1.5	51313
	140	56	140	68	212	480	1683	1980	4	51413 M
70	95	18	95	72	39	118	3443	4050	0.35	51114
	105	27	105	72	64	170	2754	3240	0.79	51214
	125	40	125	72	132	314	1989	2340	2	51314
	150	60	150	73	229	539	1530	1800	5	51414 M
75	100	19	100	77	43	143	3290	3870	0.4	51115
	110	27	110	77	66	179	2601	3060	0.83	51215
	135	44	135	77	160	382	1836	2160	2.6	51315
	160	65	160	78	246	598	1377	1620	6.75	51415 M
80	105	19	105	82	44	150	3290	3870	0.42	51116
	115	28	115	82	75	204	2601	3060	0.91	51216
	140	44	140	82	156	382	1836	2160	2.7	51316
	170	68	170	83	265	657	1301	1530	7.95	51416 M
85	110	19	110	87	45	160	3290	3870	0.44	51117
	125	31	125	88	96	270	2295	2700	1.2	51217
	150	49	150	88	186	456	1683	1980	3.55	51317
	180	72	177	88	280	735	1224	1440	9.45	51417 M
90	120	22	120	92	58	204	2907	3420	0.65	51118
	135	35	135	93	117	319	2142	2520	1.7	51218
	155	50	155	93	191	490	1683	1980	3.8	51318
	190	77	187	93	301	799	1148	1350	11	51418 M
100	135	25	135	102	83	284	2448	2880	0.97	51120
	150	38	150	103	122	338	1836	2160	2.2	51220
	170	55	170	103	224	598	1454	1710	4.95	51320
	210	85	205	103	364	1039	1071	1260	15	51420 M

CUSCINETTI ASSIALI A SFERE A SEMPLICE EFFETTO SINGLE ACTING THRUST BALL BEARINGS



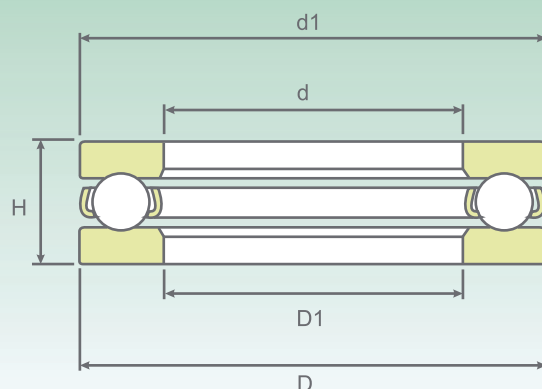
Dimensioni (mm) Dimension (mm)					Coefficiente di carico (KN) Load rating (KN)		Velocità limite (giri/min) Speed limit (Rpm)		Peso (Kg) Weight (Kg)	Sigla Designation
d (mm)	D (mm)	H (mm)	d1 (mm)	D1 (mm)	Dinamico C	Statico C ₀	Lubrificazione Lubrication			
							Grasso Grease	Olio Oil		
110	145	25	145	112	85	309	2448	2880	1.05	51122
	160	38	160	113	127	382	1836	2160	2.4	51222
	190	63	187	113	275	799	1301	1530	7.85	51322 M
	230	95	225	113	402	1196	995	1170	20	51422 M
120	155	25	155	122	87	328	2295	2700	1.15	51124
	170	39	170	123	137	431	1683	1980	2.65	51224
	210	70	205	123	319	960	1148	1350	11	51324 M
	250	102	245	123	510	1695	842	990	29.5	51424 M
130	170	30	170	132	109	417	1989	2340	1.85	51126
	190	45	190	133	182	573	1530	1800	4	51226
	225	75	220	134	351	1117	1836	2160	13	51326 M
	270	110	265	134	510	1695	765	900	32	51426 M
140	180	31	178	142	109	431	1989	2340	2.05	51128
	200	46	197	143	186	608	1454	1710	4.35	51228
	240	80	235	144	389	1294	995	1170	15.5	51328 M
	280	112	275	144	510	1695	765	900	34.5	51428 M
150	190	31	188	152	109	431	1836	2160	2.2	51130 M
	215	50	212	153	233	784	1377	1620	6.1	51230 M
	250	80	245	154	402	1372	995	1170	16.5	51330 M
	300	120	295	154	548	1921	727	855	42.5	51430 M
160	200	31	198	162	110	456	1836	2160	2.35	51132 M
	225	51	222	163	237	833	1301	1530	6.55	51232 M
	270	87	265	164	440	1627	918	1080	21	51332 M
170	215	34	213	172	130	529	1683	1980	3.3	51134 M
	240	55	237	173	280	1000	1377	1620	8.15	51234 M
	280	87	275	174	459	1725	842	990	22	51334 M
180	225	34	222	183	132	559	1683	1980	3.5	51136 M
	250	56	245	183	290	1058	1148	1350	8.6	51236 M
	300	95	295	184	510	1960	842	990	28.5	51336 M
	360	140	360	184	761	2160			70.5	51436
190	240	37	237	193	169	696	1530	1800	4.05	51138 M
	270	62	265	194	325	1245	1071	1260	12	51238 M
	320	105	315	195	580	2352	727	855	36.5	51338 M
200	250	37	247	203	165	696	1454	1710	4.25	51140 M
	280	62	275	204	331	1294	1071	1260	12	51240 M
	340	110	335	205	612	2548	689	810	44.5	51340 M
220	270	37	267	223	174	784	1454	1710	4.6	51144 M
	300	63	295	224	344	1431	995	1170	13	51244 M
240	300	45	317	243	229	1019	1224	1440	7.55	51148 M
	340	78	355	244	453	1960	842	990	23	51248 M

CUSCINETTI ASSIALI A SFERE A SEMPLICE EFFETTO SINGLE ACTING THRUST BALL BEARINGS



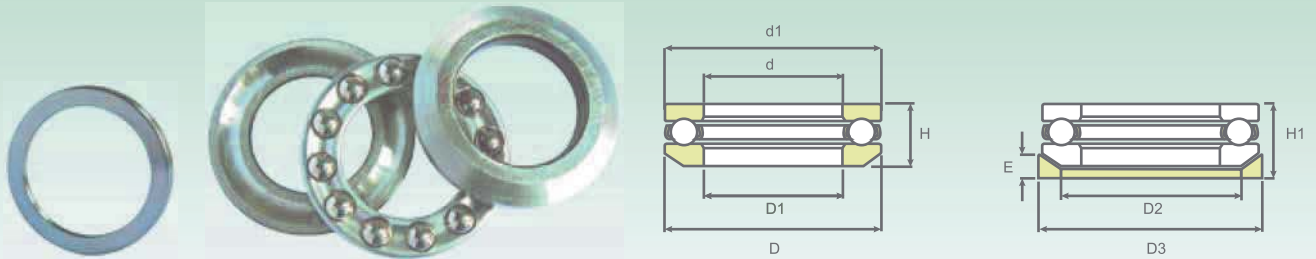
Dimensioni (mm) Dimension (mm)					Coefficiente di carico (KN) Load rating (KN)		Velocità limite (giri/min) Speed limit (Rpm)		Peso (Kg) Weight (Kg)	Sigla Designation
d (mm)	D (mm)	H (mm)	d1 (mm)	D1 (mm)	Dinamico C	Statico C ₀	Lubrificazione Lubrication			
							Grasso Grease	Olio Oil		
260	320	45	317	263	233	1078	1148	1350	8.1	51152 M
	360	79	355	264	466	2117	842	990	25	51252 M
	480	175	480	268	1110	4000	-	-	135	51452
280	350	53	347	283	313	1431	995	1170	12	51156 M
	380	80	375	284	484	2274	765	900	26.5	51256 M
300	380	62	376	304	357	1725	842	990	17.5	51160 M
	420	95	415	304	593	2940	650	765	42	51260 M
320	400	63	396	324	364	1823	842	990	19	51164 M
	440	95	435	325	561	2940	612	720	45.5	51264 M
340	420	64	416	344	369	1921	842	990	20.5	51168 M
	460	96	455	345	593	3136	574	675	48.5	51268 M
	540	160	540	345	1040	4300	-	-	135	51368
360	440	65	436	364	382	2038	765	900	22	51172 M
	500	110	495	365	726	4067	536	630	70	51272 M
366	440	65	440	370	296	1080	-	-	19.5	BD1B 634132
380	460	36	460	385	186	830	-	-	12.5	351793
	460	65	456	384	389	2156	765	900	23	51176 M
	520	112	515	385	713	4067	536	630	73	51276 M
385	510	110	510	385	618	2500	-	-	66	350550
400	480	65	476	404	395	2234	765	900	24	51180 M
420	500	65	496	424	402	2352	765	900	25.5	51184 M
	580	130	580	426	884	4000	-	-	110	51284
440	520	65	520	445	302	1200	-	-	24	BD1B 634131
	540	80	536	444	516	3185	650	765	42	51188 M
	600	130	600	446	904	4150	-	-	115	51288
460	560	80	556	464	516	3185	612	720	43.5	51192 M
480	580	80	576	484	529	3479	612	720	45.5	51196 M
500	600	80	596	504	542	3528	612	720	47	511/500 M
530	590	36	590	535	178	1000	-	-	12.5	351794
	640	85	636	534	637	4312	675	540	58.5	511/530 M
545	635	65	635	545	251	1020	-	-	33.5	BD1B634141
560	670	67	670	564	475	2400	-	-	45.5	591/560
	670	85	666	564	650	4557	630	504	61	511/560 M
600	710	67	710	604	475	2500	-	-	45.5	591/600
	710	85	706	604	650	4704	630	504	65	511/600 M
	740	90	740	605	637	3400	-	-	84.5	350534
	800	90	800	610	676	3650	-	-	117	350769

CUSCINETTI ASSIALI A SFERE A SEMPLICE EFFETTO SINGLE ACTING THRUST BALL BEARINGS



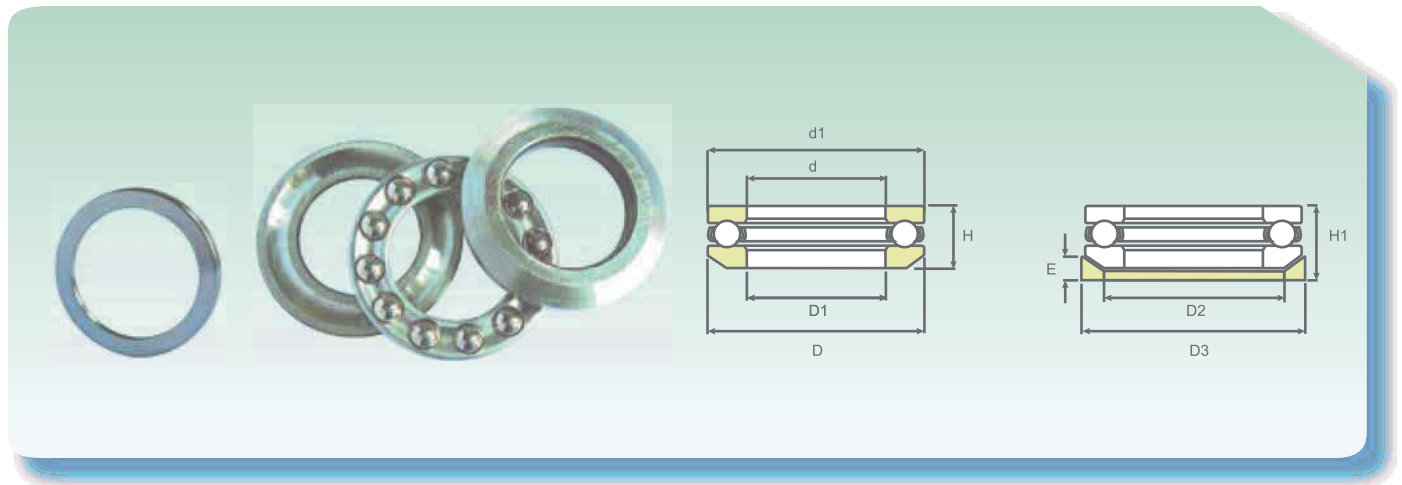
Dimensioni (mm) Dimension (mm)					Coefficiente di carico (KN) Load rating (KN)		Velocità limite (giri/min) Speed limit (Rpm)		Peso (Kg) Weight (Kg)	Sigla Designation
d (mm)	D (mm)	H (mm)	d1 (mm)	D1 (mm)	Dinamico Dynamic C	Statico Static C ₀	Lubrificazione Lubrication			
							Grasso Grease	Olio Oil		
630	750	95	746	634	714	5292	567	454	84	511/630 M
640	700	55	700	642	168	980	-	-	25	350015
670	800	78	800	675	540	3050	-	-	74	591/670
	800	105	795	675	835	6566	504	403	105	511/670 M
730	850	85	850	730	663	4000	-	-	88	350627 A
750	900	90	900	755	741	4500	-	-	105	591/750
	900	120	900	755	1010	6300	-	-	150	511/750
800	950	90	950	805	761	4800	-	-	110	591/800/351589 A
850	1000	90	1000	855	761	5000	-	-	115	591/850
950	1120	103	1120	956	852	6000	-	-	170	591/950
980	1120	120	1120	985	1010	7350	-	-	170	BD1B 351883
1000	1180	109	1180	1006	936	6700	-	-	200	591/1000/351395
1250	1500	150	1500	1258	1430	11800	-	-	510	351006 A
1380	1540	130	1540	1385	1330	11800	-	-	310	BD1B 351890 A
1400	1630	180	1630	1408	1900	17300	-	-	610	511/1400
1420	1620	100	1620	1420	1040	8800	-	-	320	351346 B
1800	1950	120	1950	1805	1110	11200	-	-	350	510/1800

CUSCINETTI ASSIALI A SFERE A SEMPLICE EFFETTO, CON RALLA SFERICA SINGLE ACTING THRUST BALL BEARINGS WITH OUTER SPHERICAL RING



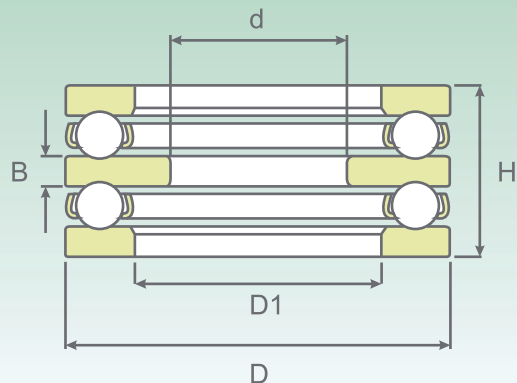
Dimensioni (mm) Dimension (mm)									Coefficiente di carico (kN) Load rating (kN)		Velocità limite (giri/min) Speed limit (Rpm)		Peso Cuscinetto con ralla (Kg) Weight Bearing with ring(Kg)	Sigla Designation	
d (mm)	D (mm)	H1 (mm)	d1 (mm)	D1 (mm)	D2 (mm)	D3 (mm)	H (mm)	E (mm)	Dinamico Dynamic C	Statico Static C ₀	Lubrificazione Lubrication			Cuscinetto Bearing	Ralla Ring
											Grasso Grease	Olio Oil			
12	28	13	28	14	20	30	11.4	3.5	13	20	8415	9900	0.045	53201	U 201
15	32	15	32	17	24	35	13.3	4	16	26	7650	9000	0.063	53202	U 202
17	35	15	35	19	26	38	13.2	4	17	29	7268	8550	0.071	53203	U 203
20	40	17	40	20	30	42	14.73	5	22	40	6120	7200	0.1	53204	U 204
25	47	19	47	27	36	50	16.72	5.5	27	54	5738	6750	0.15	53205	U 205
30	52	20	52	32	42	55	17.8	5.5	25	50	5126	6030	0.18	53206	U 206
	60	25	60	32	45	62	22.6	7	37	70	4055	4770	0.33	53306	U 306
35	62	22	62	37	48	65	19.87	7.5	34	72	4284	5040	0.28	53207	U 207
	68	28	68	37	52	72	25.6	7	48	95	3443	4050	0.46	53307	U 307
40	68	23	68	42	50	72	20.3	7	46	104	4055	4770	0.35	53208	U 208
	78	31	78	42	60	82	28.5	8.5	61	120	3290	3870	0.67	53308	U 308
	90	42	90	42	65	95	38.2	12	110	220	2601	3060	1.35	53408	U 408
45	73	24	73	47	60	78	21.3	7.5	38	85	3825	4500	0.39	53209	U 209
	85	33	85	47	65	90	30.13	10	75	150	3060	3600	0.83	53309	U 309
50	78	26	78	52	62	82	23.49	7.5	48	114	3443	4050	0.47	53210	U 210
	95	37	95	52	72	100	34.3	11	87	186	2754	3240	1.2	53310	U 310
	110	50	110	52	80	115	45.6	14	156	333	2142	2520	2.31	53410	U 410
55	90	30	90	57	72	95	27.35	9	61	143	3060	3600	0.75	53211	U 211
	105	42	105	57	80	110	39.3	11.5	102	220	2448	2880	1.68	53311	U 311
	120	55	120	57	88	125	50.5	15.5	174	382	1836	2160	3.08	53411	U 411
60	95	31	95	62	78	100	28.02	9	61	147	2907	3420	0.82	53212	U 212
	110	42	110	62	85	115	38.3	11.5	99	220	2295	2700	1.71	53312	U 312
	130	58	130	62	95	135	54	16	195	421	1683	1980	3.8	53412 M	U 412
65	100	32	100	67	82	105	28.7	9	62	160	2754	3240	0.91	53213	U 213
	115	43	115	67	90	120	39.4	12.5	104	235	2295	2700	1.89	53313	U 313
70	105	32	105	72	88	110	28.8	9	64	170	2754	3240	0.97	53214	U 214
	125	48	125	72	98	130	44.2	13	132	314	1989	2340	2.5	53314	U 314
	150	69	150	73	110	155	63.6	19.5	229	539	1530	1800	6.5	53414 M	U 414
75	110	32	110	77	92	115	28.3	9.5	66	179	2601	3060	1	53215	U 215
	135	52	135	77	105	140	48.1	15	160	382	1836	2160	3.2	53315	U 315
	160	75	160	78	115	165	69	21	246	598	1377	1620	8.1	53415 M	U 415
80	115	33	115	82	98	120	29.5	10	75	204	2601	3060	1.1	53216	U 216
	140	52	140	82	110	145	47.6	15	156	382	1836	2160	3.3	53316	U 316
85	125	37	125	88	105	130	33.1	11	96	270	2295	2700	1.5	53217	U 217
	150	58	150	88	115	155	53.1	17.5	186	456	1683	1980	4.35	53317	U 317

CUSCINETTI ASSIALI A SFERE A SEMPLICE EFFETTO, CON RALLA SFERICA
SINGLE ACTING THRUST BALL BEARINGS WITH OUTER SPHERICAL RING



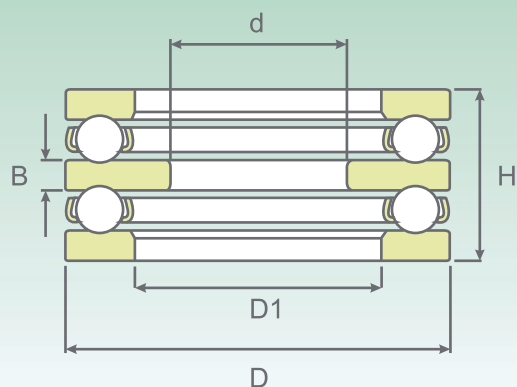
Dimensioni (mm) Dimension (mm)									Coefficiente di carico (KN) Load rating (KN)		Velocità limite (giri/min) Speed limit (Rpm)		Peso Cuscinetto con ralla (Kg) Weight Bearing with ring(Kg)	Sigla Designation	
d (mm)	D (mm)	H1 (mm)	d1 (mm)	D1 (mm)	D2 (mm)	D3 (mm)	H (mm)	E (mm)	Dinamico Dynamic C	Statico Static C ₀	Lubrificazione Lubrication			Cuscinetto Bearing	Ralla Ring
											Grasso Grease	Olio Oil			
90	135	42	135	93	110	140	38.5	13.5	117	319	2142	2520	2.1	53218	U 218
	155	59	155	93	120	160	54.6	18	191	490	1683	1980	4.7	53318	U 318
	190	88	187	93	140	195	81.2	25.5	301	799	1148	1350	13	53418 M	U 418
100	150	45	150	103	125	155	40.9	14	122	338	1836	2160	2.7	53220	U 220
	170	64	170	103	135	175	59.2	18	224	598	1454	1710	5.95	53320	U 320
	210	98	205	103	155	220	90	27	364	1039	1071	1260	18	53420 M	U420
110	160	45	160	113	135	165	40.2	14	127	382	1836	2160	2.91	53222	U 222
	190	72	187	113	150	195	67.5	20.5	275	799	1301	1530	9.1	53322 M	U 322
120	170	46	170	123	145	175	40.8	15	137	431	1683	1980	3.2	53224	U 224
	210	80	205	123	165	220	74.1	22	319	960	1148	1350	12.5	53324 M	U 324
130	190	53	187	133	160	195	47.9	17	182	573	1530	1800	4.85	53226	U 226
140	200	55	197	143	170	210	48.6	17	186	608	1454	1710	5.45	53228	U 228

CUSCINETTI ASSIALI A SFERE A DOPPIO EFFETTO DOUBLE ACTING THRUST BALL BEARINGS



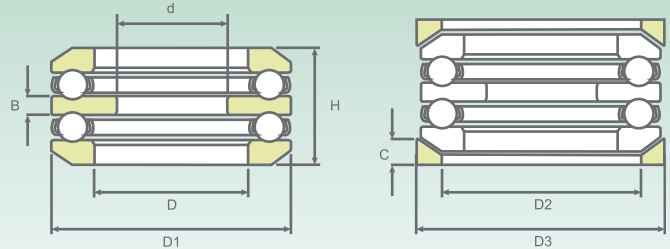
Dimensioni (mm) Dimension (mm)					Coefficiente di carico (KN) Load rating (KN)		Velocità limite (giri/min) Speed limit (Rpm)		Peso (Kg) Weight (Kg)	Sigla Designation
d (mm)	D (mm)	H (mm)	D1 (mm)	B (mm)	Dinamico C	Statico C ₀	Lubrificazione Lubrication			
							Grasso Grease	Olio Oil		
10	32	22	17	5	16	26	7650	9000	0.084	52202
15	40	26	22	6	22	40	6120	7200	0.15	52204
20	47	28	27	7	27	54	5738	6750	0.22	52205
	52	34	27	8	34	59	4820	5670	0.33	52305
	70	52	32	12	72	134	3825	4500	1	52407
25	52	29	32	7	25	50	5126	6030	0.25	52206
	60	38	32	9	37	70	4055	4770	0.45	52306
	80	59	37	15	86	167	3290	3780	1.45	52406
30	62	34	37	8	34	72	4284	5040	0.41	52207
	68	36	42	9	46	104	4055	4770	0.55	52208
	68	44	37	10	48	95	3443	4050	0.68	52307
	78	49	42	12	61	120	3290	3870	1.05	52308
	90	65	42	15	110	220	2550	3050	2.05	52408
35	73	37	47	9	38	85	3825	4500	0.6	52209
	85	52	47	12	75	150	3060	3600	1.24	52309
	100	72	47	17	127	260	2907	2700	2.70	52409
40	78	39	52	9	48	114	3443	4050	0.67	52210
	95	58	52	14	87	186	2754	3240	1.75	52310
45	90	45	57	10	61	143	3060	3600	1.1	52211
	105	64	57	15	102	220	2448	2880	2.4	52311
	120	87	57	20	172	382	1836	2160	4.70	52411
50	95	46	62	10	61	147	2907	3420	1.16	52212
	110	64	62	15	99	220	2295	2700	2.55	52312
	130	93	62	21	195	421	1700	1980	6.35	52412 M
55	100	47	67	10	62	160	2754	3240	1.35	52213
	105	47	72	10	63	169	2754	3240	1.50	52214
	115	65	67	15	104	235	2295	2700	2.75	52313
	125	72	72	16	132	314	1989	2340	3.65	52314
	150	107	73	24	229	539	1530	1800	9.70	52414 M
60	110	47	77	10	66	179	2601	3060	1.55	52215
	135	79	77	18	160	382	1836	2160	4.8	52315
65	115	48	82	10	75	204	2601	3060	1.7	52216
	140	79	82	18	156	382	1836	2160	4.94	52316
70	125	55	88	12	96	270	2295	2700	2.4	52217
75	135	62	93	14	117	319	2142	2520	3.2	52218
85	150	67	103	15	122	338	1836	2160	4.2	52220
	170	97	103	21	225	598	1400	1710	8.95	52320
95	160	67	113	15	127	382	1836	2160	4.65	52222
100	170	68	123	15	137	431	1683	1980	5.25	52224

CUSCINETTI ASSIALI A SFERE A DOPPIO EFFETTO DOUBLE ACTING THRUST BALL BEARINGS



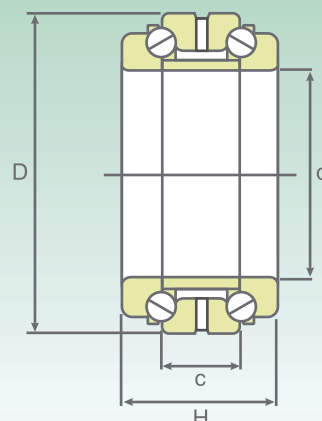
Dimensioni (mm) Dimension (mm)					Coefficiente di carico (KN) Load rating (KN)		Velocità limite (giri/min) Speed limit (Rpm)		Peso (Kg) Weight (Kg)	Sigla Designation
d (mm)	D (mm)	H (mm)	D1 (mm)	B (mm)	Dinamico Dynamic C	Statico Static C ₀	Lubrificazione Lubrication			
							Grasso Grease	Olio Oil		
110	190	80	133	18	182	573	1530	1800	8	52226
120	200	81	143	18	186	608	1454	1710	8.65	52228
130	215	89	153	20	233	784	1377	1620	11.5	52230 M
140	225	90	163	20	236	833	1530	1300	12	52232 M
150	240	97	173	21	281	999	1224	1440	15	52234 M
	250	98	183	21	290	1000	1150	1350	16	52236 M

CUSCINETTI ASSIALI A SFERE A DOPPIO EFFETTO CON RALLE PER ALLOGGIAMENTO SFERICHE DOUBLE DIRECTION THRUST BALL BEARINGS WITH SPHERICAL BACK FACE



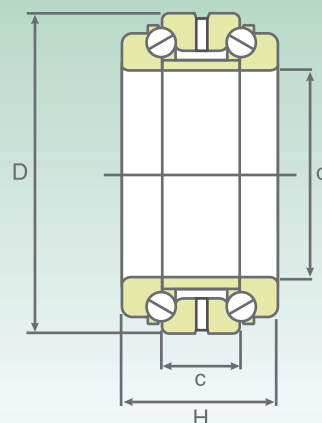
Dimensioni (mm) Dimension (mm)									Coefficiente di carico (KN) Load rating (KN)		Velocità limite (giri/min) Speed limit (Rpm)		Peso Cuscinetto con ralla (Kg) Weight Bearing with ring(Kg)	Sigla Designation	
d (mm)	D (mm)	H1 (mm)	D1 (mm)	D2 (mm)	D3 (mm)	H (mm)	B (mm)	C (mm)	Dinamico Dynamic C	Statico Static C ₀	Lubrificazione Lubrication			Cuscinetto Bearing	Ralla Ring
											Grasso Grease	Olio Oil			
25	60	46	32	45	62	41.3	9	7	36.946	69.58	3816	4770	0.58	54306	U 306
30	62	42	37	48	65	37.73	8	7	34.398	72.03	4032	5040	0.53	54207	U 207
	68	44	42	55	72	38.6	9	7	45.864	103.88	3816	4770	0.63	54208	U 208
	68	52	37	52	72	47.19	10	7.5	48.412	94.57	3240	4050	0.85	54307	U 307
	78	59	42	60	82	54.1	12	8.5	60.564	119.56	3096	3870	1.17	54308	U 308
35	73	45	47	60	78	39.6	9	7.5	38.22	84.77	3600	4500	0.78	54209	U 209
	85	62	47	65	90	56.2	12	10	74.578	152.88	2880	3600	1.6	54309	U 309
	100	86	47	72	105	78.9	17	12.5	127.4	259.7	2160	2700	3	54409	U 409
40	95	70	52	72	100	64.7	14	11	86.632	186.2	2592	3240	2.3	54310	U 310
	100	92	52	80	115	83.2	18	14	155.82	333.2	2016	2520	4.45	54410	U 410
45	90	55	57	72	95	49.6	10	9	60.564	143.08	2880	3600	1.3	54211	U 211
50	110	78	62	85	115	70.7	15	11.5	98.98	219.52	2160	2700	2.9	54312	U 312
65	140	95	82	110	145	86.1	18	18	155.82	382.2	1728	2160	0.57	54316	U 316
	170	140	83	125	175	128.5	27	22	264.6	656.6	1224	1530	1.4	54416 M	U 416
70	150	105	88	115	155	95.2	19	17.5	186.2	455.7	1584	1980	7.95	54317	U 317
80	210	176	103	155	220	159.9	33	27	363.58	1038.8	1008	1260	29	54420 M	U 420

CUSCINETTI ASSIALI OBLIQUI A SFERE, A DOPPIO EFFETTO, DI ALTA PRECISIONE
ANGULAR CONTACT THRUST BALL BEARING, DOUBLE DIRECTION, HIGH-PRECISION



Dimensioni (mm) Dimension (mm)				Coefficiente di carico (KN) Load rating (KN)		Velocità limite (giri/min) Speed limit (Rpm)		Peso (Kg) Weight (Kg)	Sigla Designation
d (mm)	D (mm)	H (mm)	c (mm)	Dinamico C	Statico C ₀	Lubrificazione Lubrication			
						Grasso Grease	Olio Oil		
50	80	38	19	30	75	8245	9700	0,62	234410
	72	28	14	20	55	-	-	0,75	234910
75	115	48	24	45	140	5820	6790	1,55	234415
	105	38	19	25	100	-	-	1,30	234915
80	125	54	27	52	175	5141	6111	2,10	234416
	110	38	19	35	140	-	-	1,90	234916
85	130	54	27	50	180	5141	6111	2,20	234417
	150	54	22	35	140	-	-	1,90	234917
90	140	60	30	60	215	4656	5432	3,00	234418
	125	44	22	48	170	-	-	2,50	234918
95	145	60	30	70	220	4656	5432	3,05	234419
	130	44	22	58	182	-	-	2,75	234919
100	150	60	30	46,4	180	290	380	3,13	234420
	140	48	24	40	160	-	-	2,80	234920
105	160	66	33	84	250	4171	4850	4,15	234421
	145	48	24	70	195	260	350	3,50	234921
110	170	72	36	90	320	3880	4656	4,60	234422
	150	48	24	79	275	-	-	3,85	234922
120	180	72	36	107	360	3686	4365	5,54	234424
	165	54	27	89	290	-	-	5,00	234924
130	200	84	42	115	445	3298	3880	7,90	234426
	180	60	30	100	380	-	-	6,30	234926
140	210	84	42	114	470	3104	3686	8,65	234428
	190	60	30	110	395	-	-	7,30	234928
150	225	90	45	192	390	2910	3492	12,50	234430
	210	72	36	116	320	-	-	7,260	234930
160	240	96	48	185	680	190	250	14,00	234432
	220	72	36	105	550	-	-	12,50	234932
170	260	108	54	221	750	2328	2910	18,50	234434
	230	72	36	182	600	-	-	16,00	234934
180	280	120	60	220	896	1940	2522	23,00	234436
	250	84	42	180	635	-	-	21,50	234936
190	290	120	60	220	931	1940	2522	24,00	234438
	260	84	42	180	610	-	-	22,00	234938
200	310	132	66	259	1078	1843	2328	31,00	234440
	280	96	48	230	850	-	-	27,00	234940
	340	144	72	230	900	-	-	40,50	234444

CUSCINETTI ASSIALI OBLIQUI A SFERE, A DOPPIO EFFETTO, DI ALTA PRECISIONE
ANGULAR CONTACT THRUST BALL BEARING, DOUBLE DIRECTION, HIGH-PRECISION



Dimensioni (mm) Dimension (mm)				Coefficiente di carico (KN) Load rating (KN)		Velocità limite (giri/min) Speed limit (Rpm)		Peso (Kg) Weight (Kg)	Sigla Designation
d (mm)	D (mm)	H (mm)	c (mm)	Dinamico Dynamic C	Statico Static C ₀	Lubrificazione Lubrication			
						Grasso Grease	Olio Oil		
220	300	96	48	300	900	-	-	-	234944
	360	144	72	340	1330	-	-	-	234448
240	320	96	48	350	1420	-	-	-	234948
	420	164	82	380	1500	-	-	-	234456
280	380	120	60	415	1790	-	-	-	234956
300	460	190	95	480	2170	-	-	-	234460
	420	144	72	450	1950	-	-	-	234960